



## Specifications

### Batten Material

Hardwood Spotted Gum

Enviroslat Composite Woodgrain

Aluminium Aussie Gum

### Frame Finish

Mild Steel Galvanised

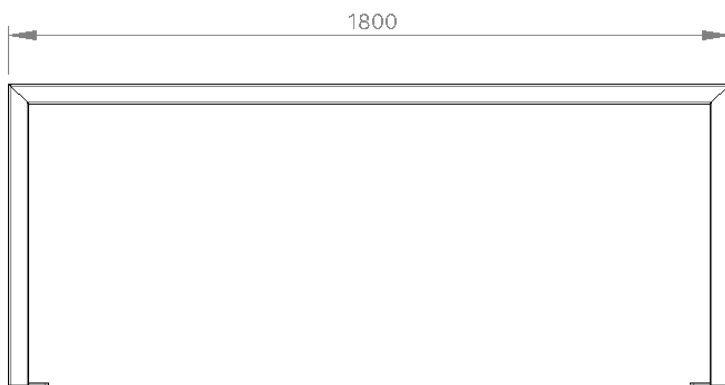
Mild Steel Powdercoated

### Fixing Type

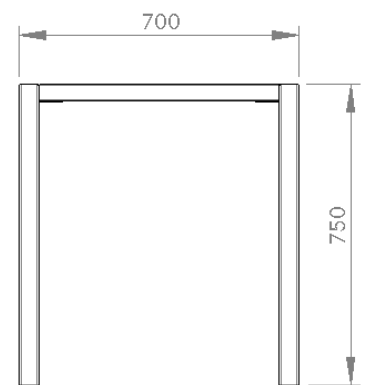
Free Standing

Bolt Down Fixing

Extended Leg (Into Footing)



FRONT



RIGHT