



Commercial Systems Australia Pty. Ltd.

TM4118: Albert Park Picnic Seat



DIMENSIONS

Length: 1800mm | Width: 550mm |
Height: 800mm

MATERIALS

Frame: Mild steel
Battens: Australian Hardwood Timber |
Enviroslat Recycled Battens

FINISHES

Frame: Powdercoated | Galvanised
Battens: Quantum gold oil | Enviroslat
woodgrain

Can be used in a setting with either the
TM4114 Hobson Bench / TM4115 Albert
Park bench and a TM4117 Hobson Table
/ TM4116 Albert Park Table.

Can be installed in-line with TM4115
Albert Park Bench.

Note: Any standard Dulux colour
available for powdercoated frames.
[Click here for Dulux Powdercoating
Chart.](#)

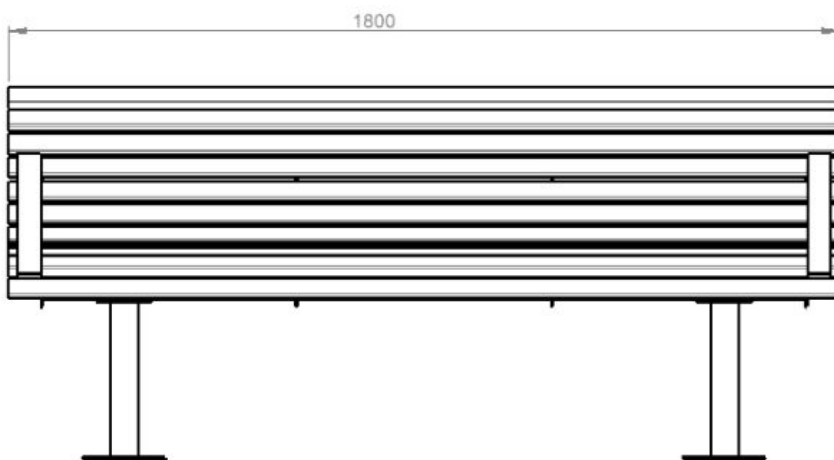
*Eternity, Zeus and Intensity ranges incur
additional charges*

FIXINGS

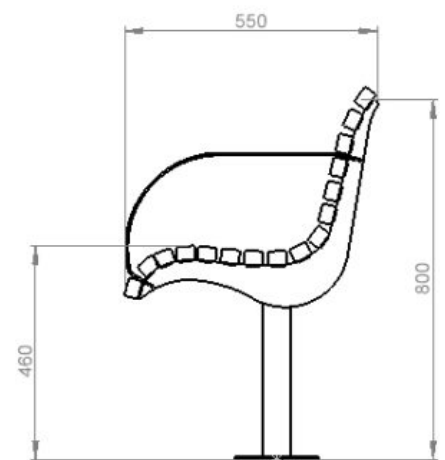
Bolt down fixing | Extended leg

OTHER OPTIONS

Custom modifications available



FRONT VIEW



END VIEW