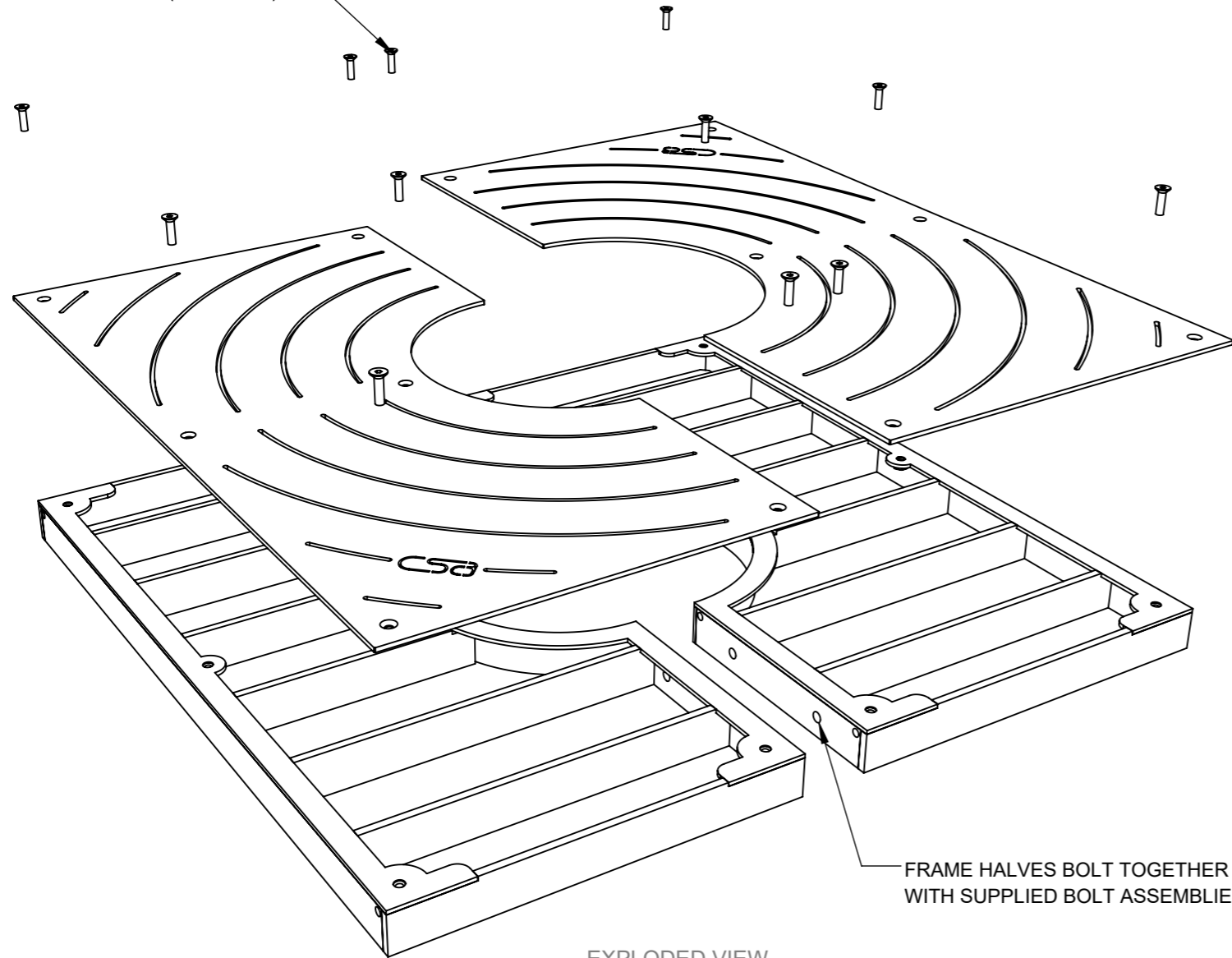


RECOMMENDED FOOTING DETAIL
CONCRETE FOOTING AROUND PERIMETER
DETAIL A
SCALE 1 : 3

13mm HOLES IN FRAME FOR M12 BOLT DOWN FIXING
FIXING BOLTS NOT SUPPLIED

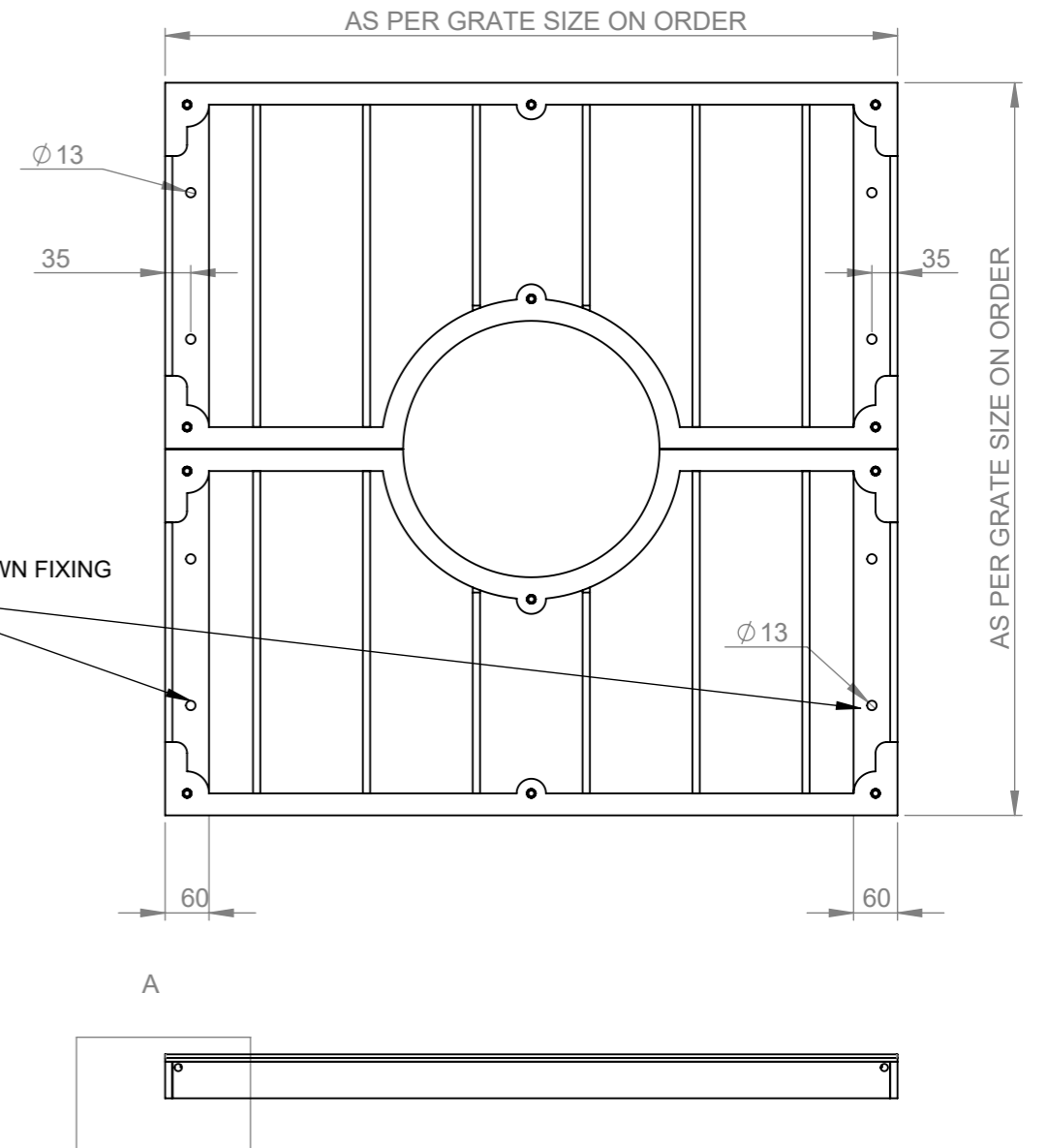
TOP PLATES ATTACHED DIRECTLY TO FRAME
WITH COUNTERSUNK SCREWS (SUPPLIED)



EXPLODED VIEW
BOLT DOWN (1000 x 1000mm SHOWN)

13mm HOLES IN FRAME FOR M12 BOLT DOWN FIXING
FIXING BOLTS NOT SUPPLIED

FRAME HALVES BOLT TOGETHER
WITH SUPPLIED BOLT ASSEMBLIES



Commercial Systems Australia Pty. Ltd.

42 Orchard Street, Kilsyth South, VIC
phone: (03) 9723 4111
fax: (03) 9723 3494
email: design@commercialsystems.com.au

Model Code: TG1086-1200x1200
Model Description:
CSA Tree Grate, Class A, 1200x1200mm, 450mmID

Drawing: CS5886

Sheet Number: 5
Sheet Description: Assembly & Installation

Drawn By: GS
Date Drawn: 20/05/2019
Revision Number: 0
Revision Details: -
SCALE 1:10

ALL DIMENSIONS IN MILLIMETERS
UNLESS OTHERWISE STATED
ALL PARTS CENTRED UNLESS SPECIFIED

TOLERANCES
X +/- 1mm
X.X +/- 0.5mm
X.XX +/- 0.05mm