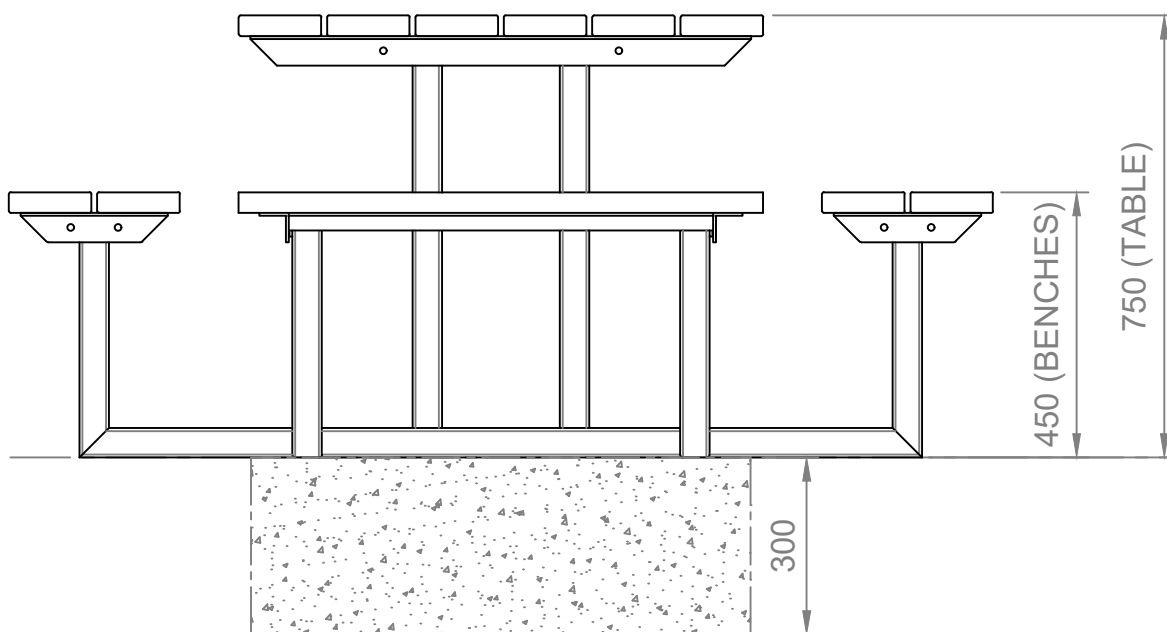
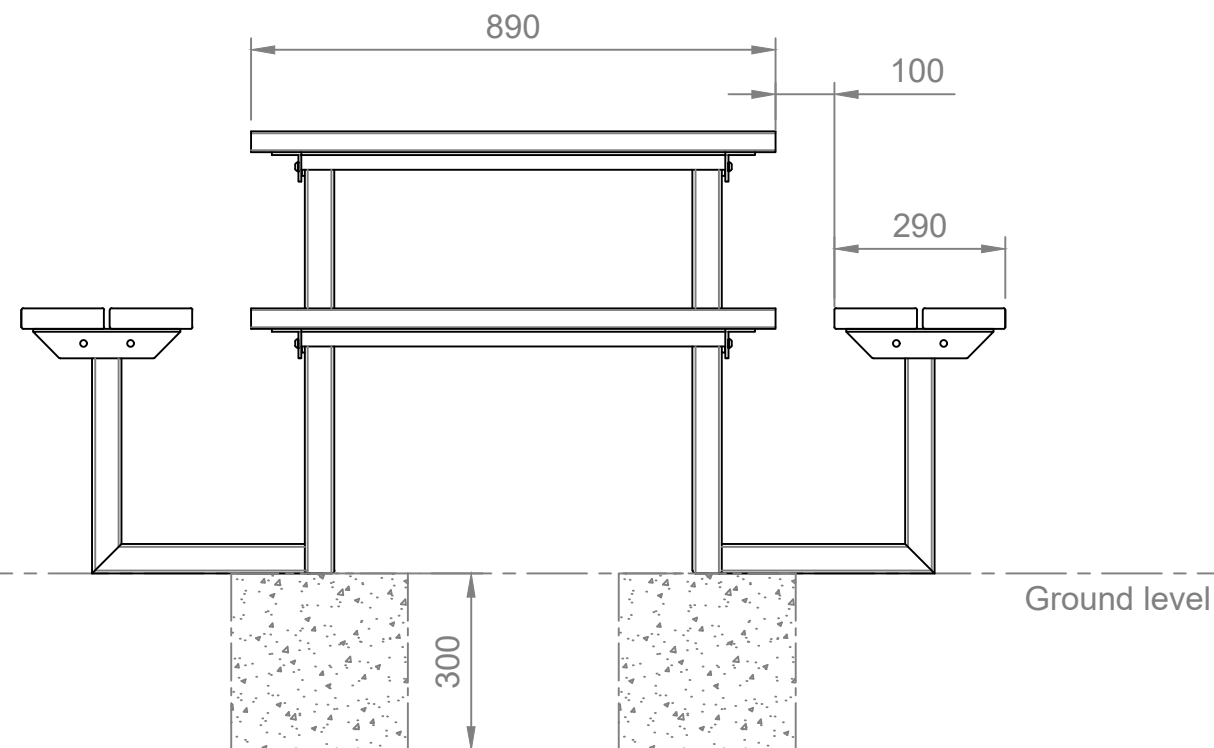


Top view



Front view

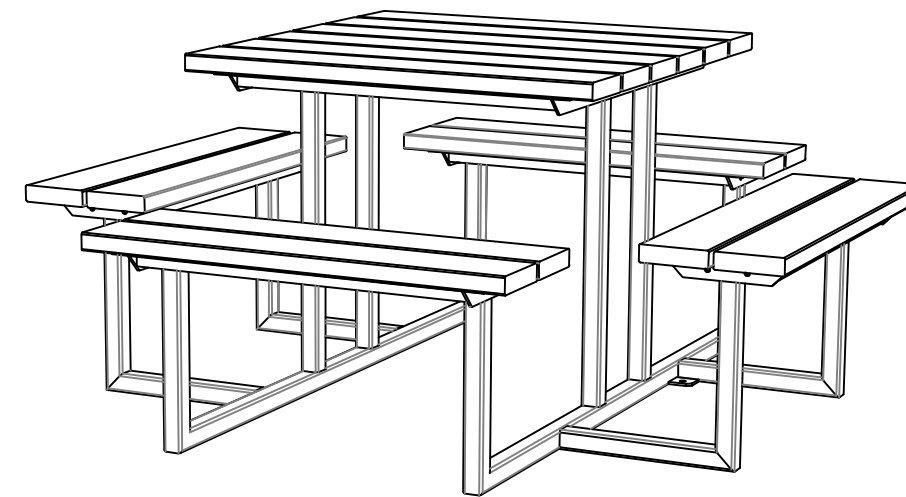


Right view

INSTALLATION DETAILS (Recommendations only)

Concrete slab, 25mPa:

- One 1770x1770x100mm (minimum) thick slab recommended



Perspective view
(Bolt down shown)



Commercial Systems Australia Pty. Ltd.

42 Orchard St, Kilsyth South, VIC

phone: (03) 9723 4111

fax: (03) 9723 3494

email: design@commercialsystems.com.au

Model Code: TM4639

Model Description: Square School Setting

Drawing: CS3144

Sheet Number: -

Sheet Description: Installation

Drawn By: K.Sohanpal

Date Drawn: 05.12.2016

Revision number: 1

SCALE 1:1

ALL DIMENSIONS IN MILLIMETERS

UNLESS OTHERWISE STATED

ALL PARTS CENTRED UNLESS SPECIFIED

TOLERANCES

X +/- 1mm

X.X +/- 0.5mm

X.XX +/- 0.05mm