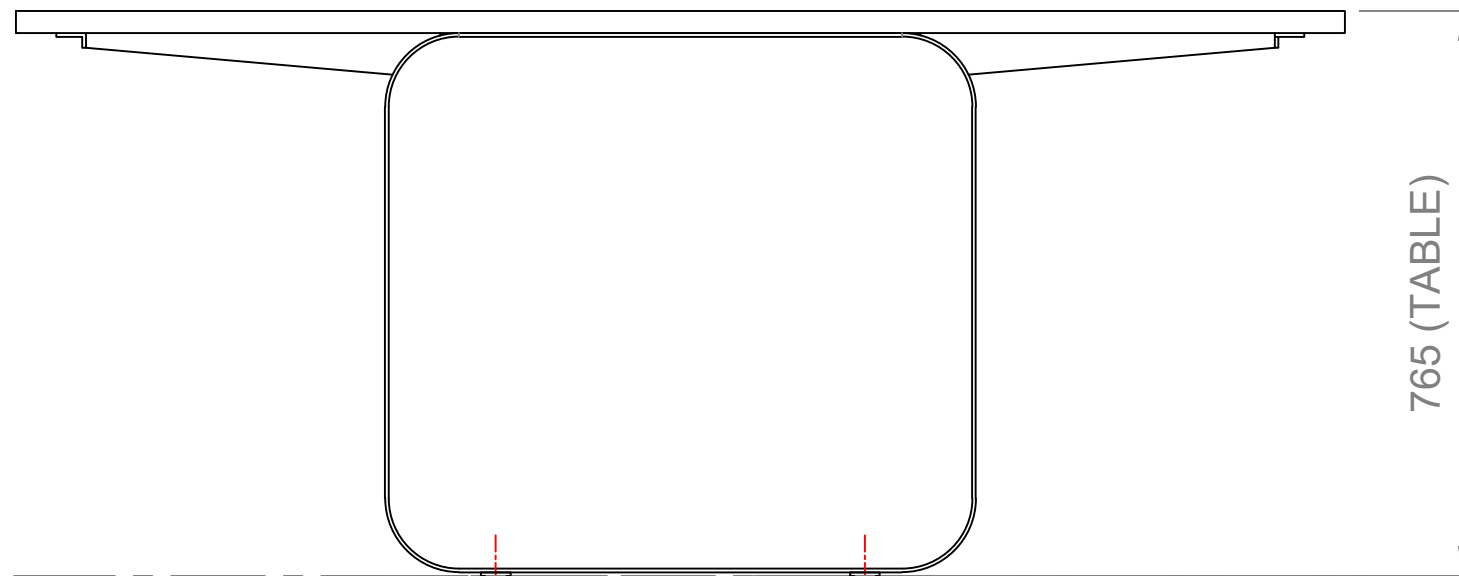


Top view



Front view



**INSTALLATION DETAILS (Recommendations only)**

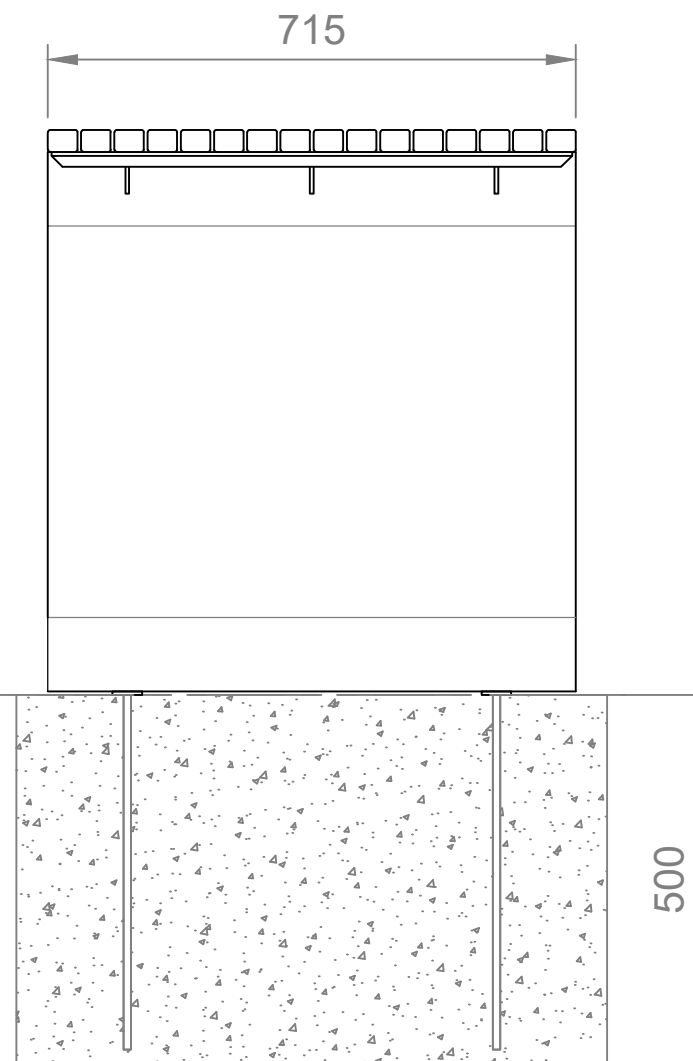
**Concrete footings, 25mPa:**

- Two 300x800x500mm minimum strip footing size
- Bolt down to footings with 4x M12x75mm Dynabolts or similar
- For extended leg option, set furniture into footings

or

**Concrete slab, 25mPa:**

- One 1900x815x100mm (minimum) thick slab recommended



Right view



Commercial Systems Australia Pty. Ltd.  
 42 Orchard St, Kilsyth South, VIC  
 phone: (03) 9723 4111  
 fax: (03) 9723 3494  
 email: design@commercialsystems.com.au

Model Code: TM4632  
 Model Description: Loop Table

**Drawing: CS2973**

Sheet Number: -  
 Sheet Description: Installation - Table only

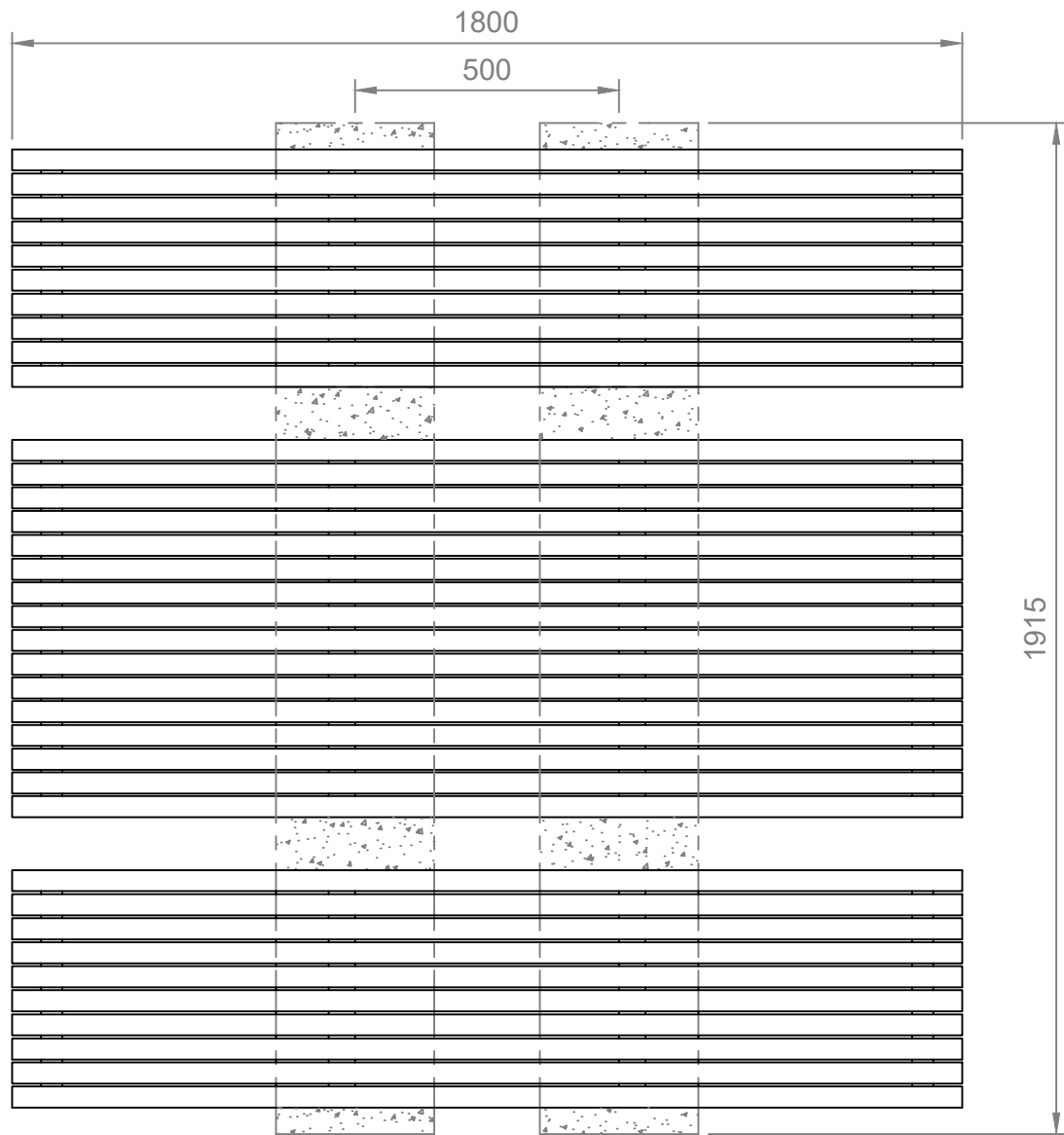
Drawn By: K.Sohanpal  
 Date Drawn: 20.09.2016  
 Revision Number: 0

SCALE 1:1

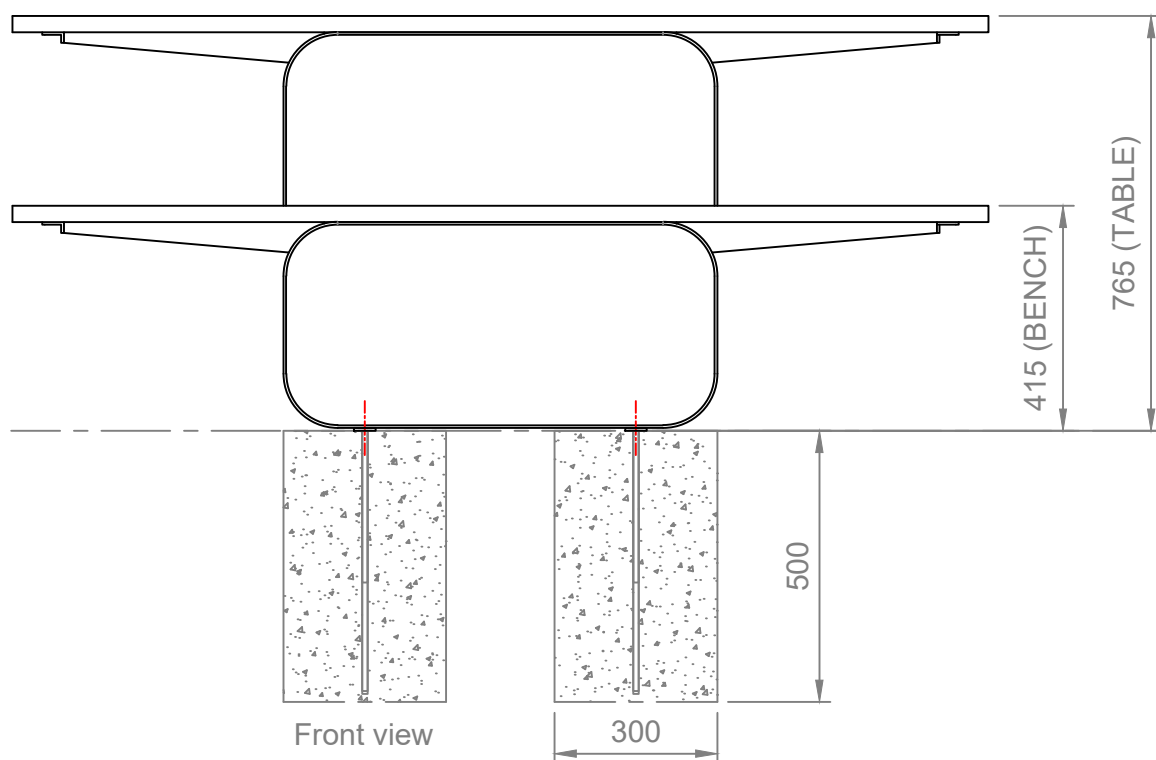
ALL DIMENSIONS IN MILLIMETERS  
 UNLESS OTHERWISE STATED  
 ALL PARTS CENTRED UNLESS SPECIFIED

TOLERANCES

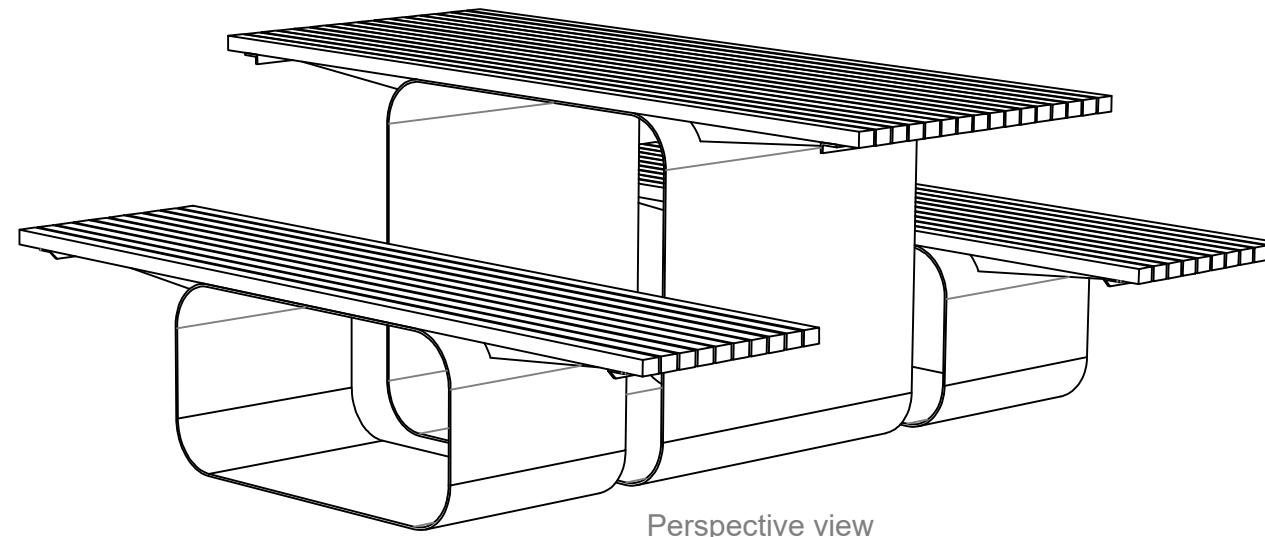
X	+/- 1mm
X.X	+/- 0.5mm
X.XX	+/- 0.05mm



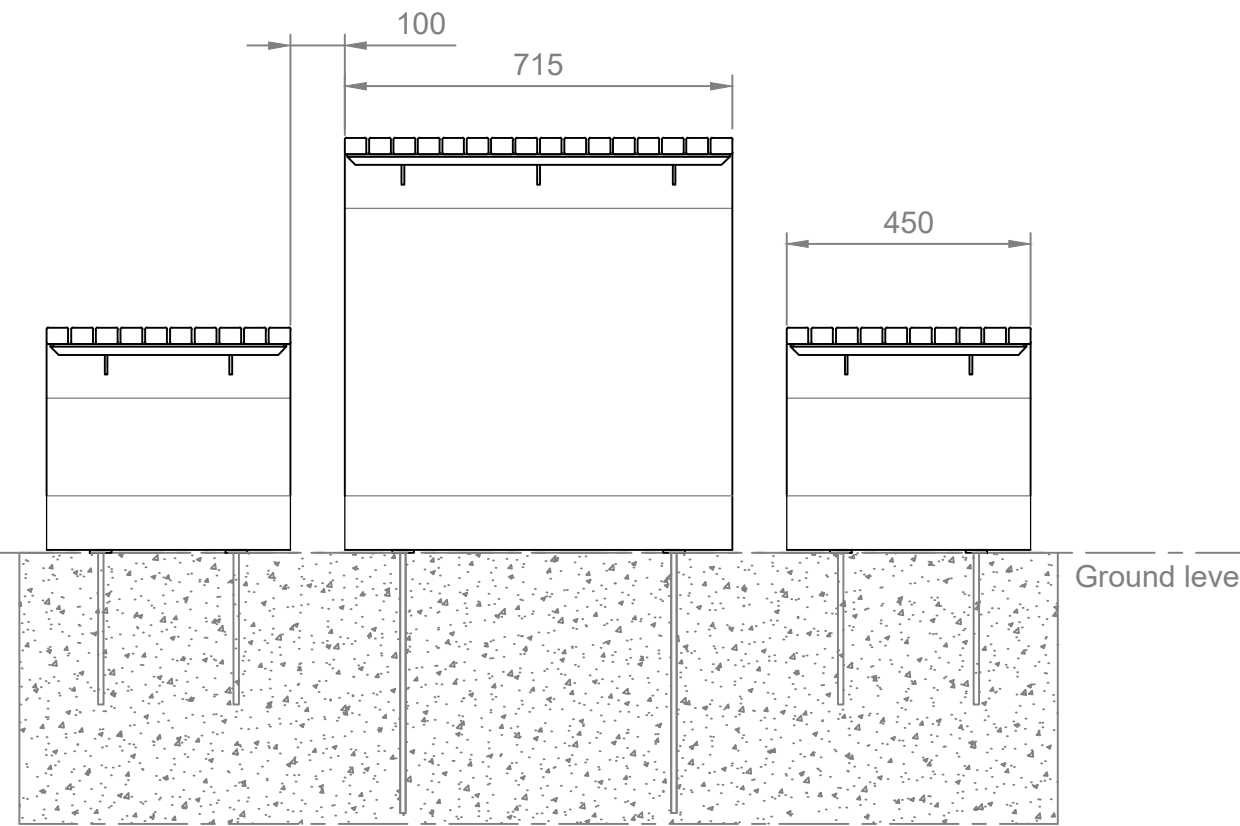
Top view



Front view



Perspective view  
(Bolt down shown)



Right view

**INSTALLATION DETAILS (Recommendations only)**

*Concrete footings, 25mPa:*

- Two 1915x800x500mm minimum strip footing size
- Bolt down to footings with 4x M12x75mm Dynabolts or similar
- For extended leg option, set furniture into footings

or

*Concrete slab, 25mPa:*

- One 1915x1900x100mm (minimum) thick slab recommended



Commercial Systems Australia Pty. Ltd.

42 Orchard St, Kilsyth South, VIC

phone: (03) 9723 4111

fax: (03) 9723 3494

email: design@commercialsystems.com.au

Model Code: TM4632

Model Description: Loop Table

**Drawing: CS2973**

Sheet Number: -

Sheet Description: Installation - Table only

Drawn By: K.Sohanpal

Date Drawn: 20.09.2016

Revision Number: 0

SCALE 1:1

ALL DIMENSIONS IN MILLIMETERS  
UNLESS OTHERWISE STATED  
ALL PARTS CENTRED UNLESS SPECIFIED

TOLERANCES

X +/- 1mm

X.X +/- 0.5mm

X.XX +/- 0.05mm