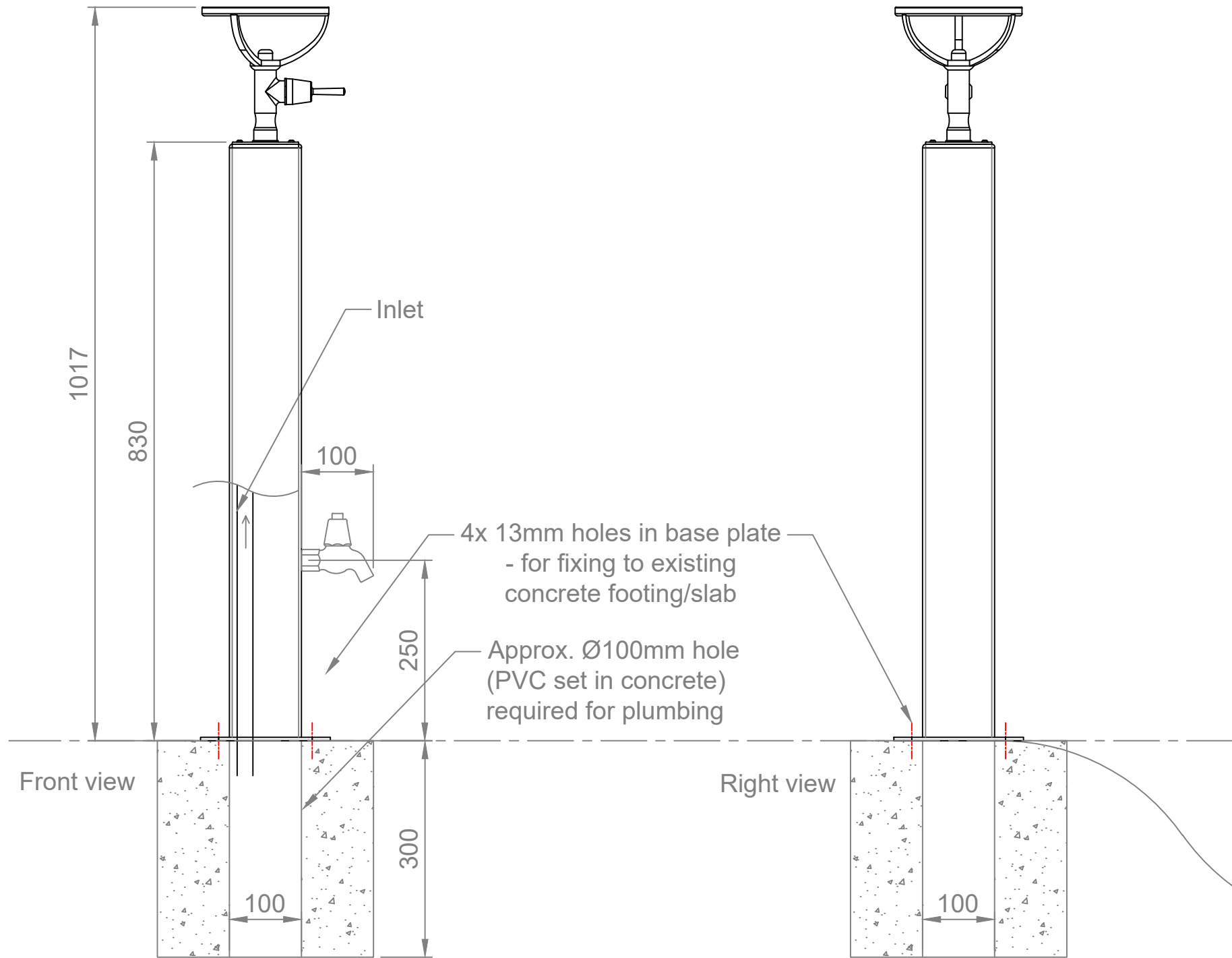


Top view

INSTALLATION DETAILS (Recommendations only)

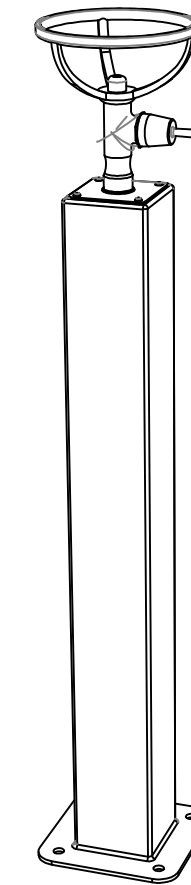
Concrete footings, 25mPa:

- One 300x300x300mm minimum footing size
- Core drill to suit inlet and PVC
- Bolt down to footings with 4x M12x75mm Dynabolts or similar

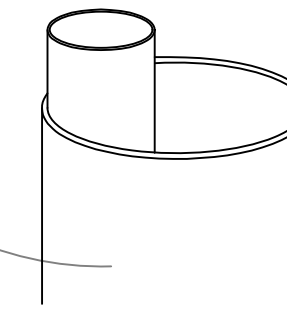


Front view

Right view



Perspective view



Commercial Systems Australia Pty. Ltd.
 42 Orchard St, Kilsyth South, VIC
 phone: (03) 9723 4111
 fax: (03) 9723 3494
 email: design@commercialsystems.com.au

Model Code: DF5105
 Model Description: Basic Bubbler

Drawing: CS2976

Sheet Number: -
 Sheet Description: Installation

Drawn By: K.Sohanpal
 Date Drawn: 20.09.2016
 Revision Number: 2

SCALE 1:1

ALL DIMENSIONS IN MILLIMETERS
 UNLESS OTHERWISE STATED
 ALL PARTS CENTRED UNLESS SPECIFIED

TOLERANCES	
X	+/- 1mm
X.X	+/- 0.5mm
X.XX	+/- 0.05mm