

INSTALLATION DETAILS (Recommendations only)

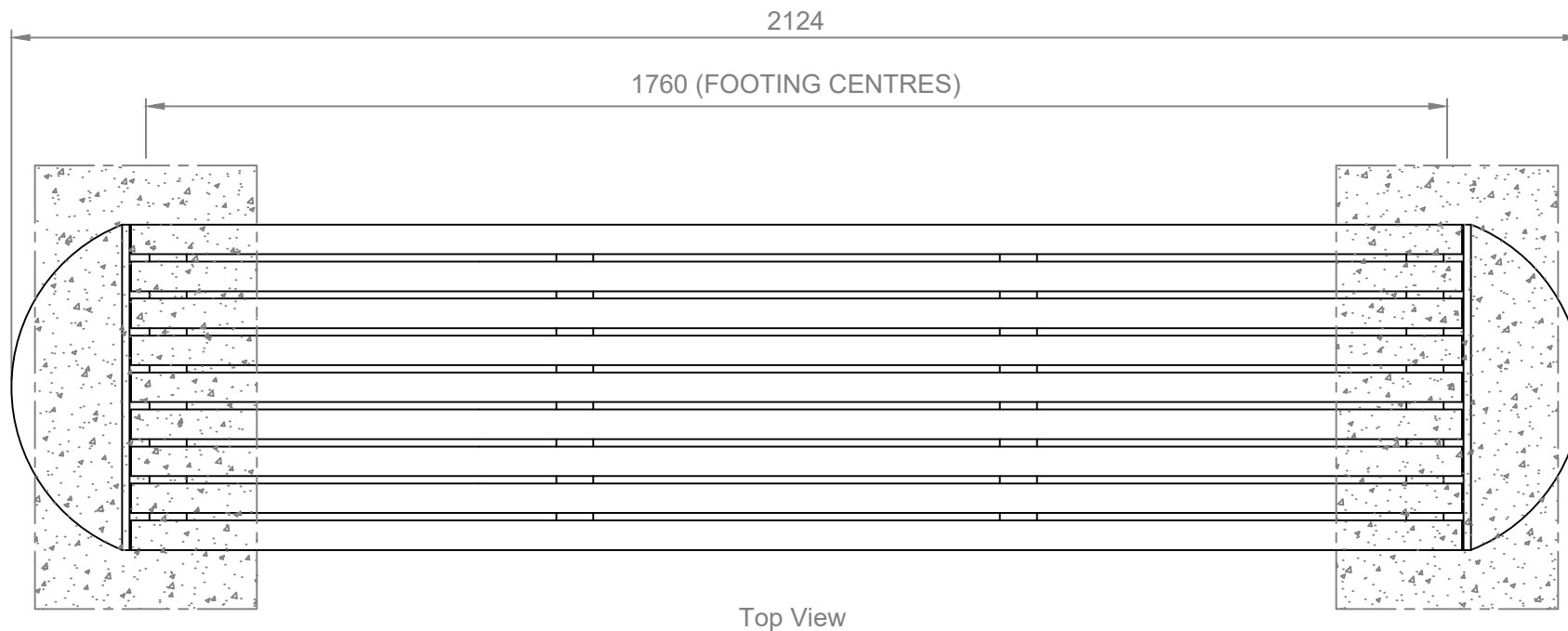
Concrete footings, 25mPa:

- Two 600x300x300mm minimum footing size
- Bolt down to footings with 4x M12x75mm Dynabolts or similar
- For extended leg option, set furniture into footings

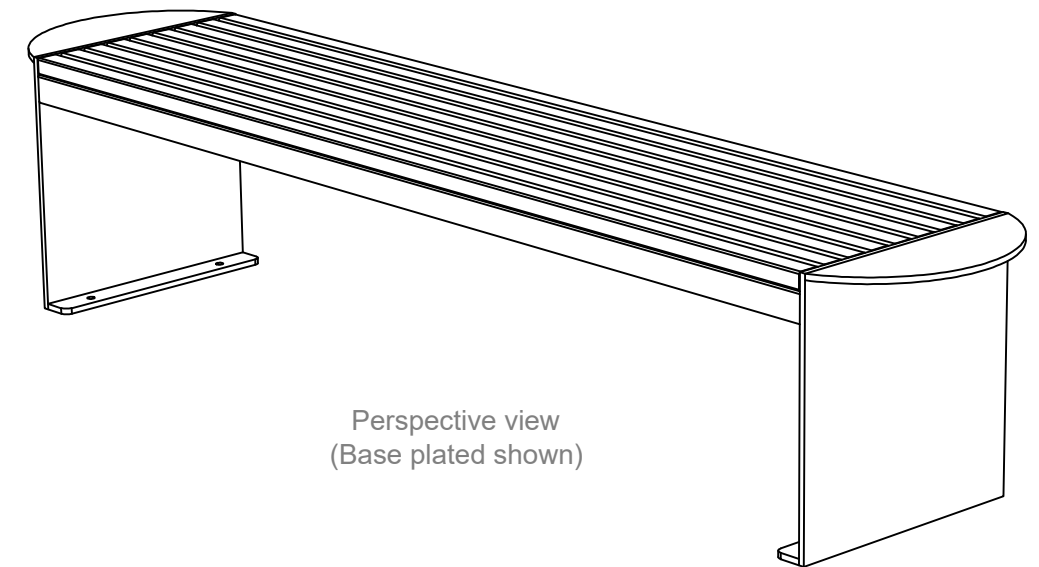
or

Concrete slab, 25mPa:

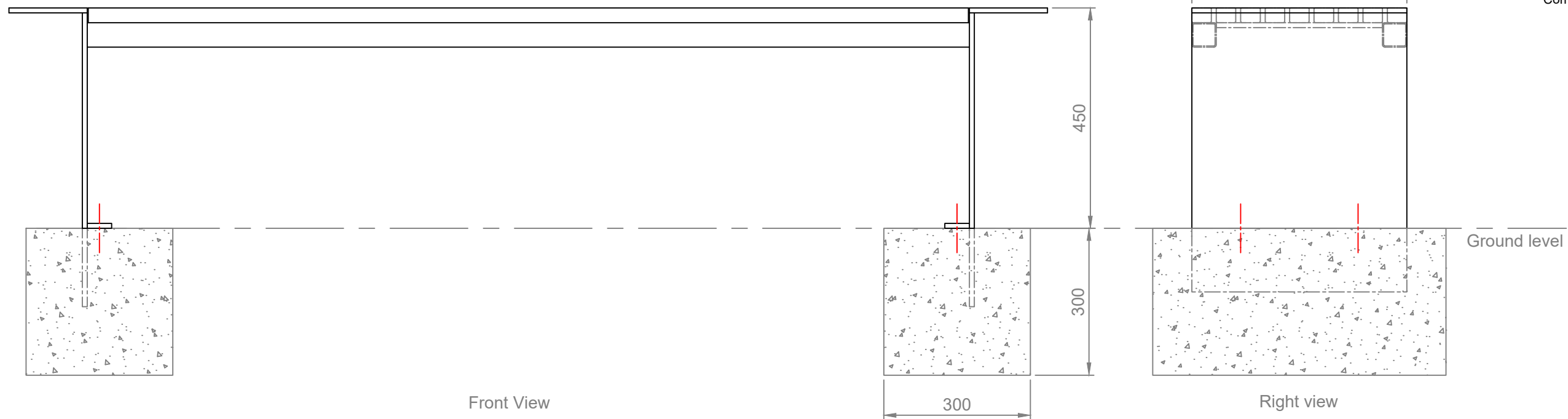
- One 2200x550x100mm (minimum) thick slab recommended



Top View



Perspective view
(Base plated shown)



Front View

Right view



Commercial Systems Australia Pty. Ltd.

42 Orchard St, Kilsyth South, VIC
phone: (03) 9723 4111
fax: (03) 9723 3494
email: design@commercialsystems.com.au

Model Code: TM4318
Model Description: Hills Bench

Drawing: CS2174

Sheet Number: -
Sheet Description: Installation

Drawn By: K.Sohanpal
Date Drawn: 16.06.2015

Revision Number: 1

SCALE 1:1

ALL DIMENSIONS IN MILLIMETERS
UNLESS OTHERWISE STATED
ALL PARTS CENTRED UNLESS SPECIFIED

TOLERANCES

X	+/- 1mm
X.X	+/- 0.5mm
X.XX	+/- 0.05mm