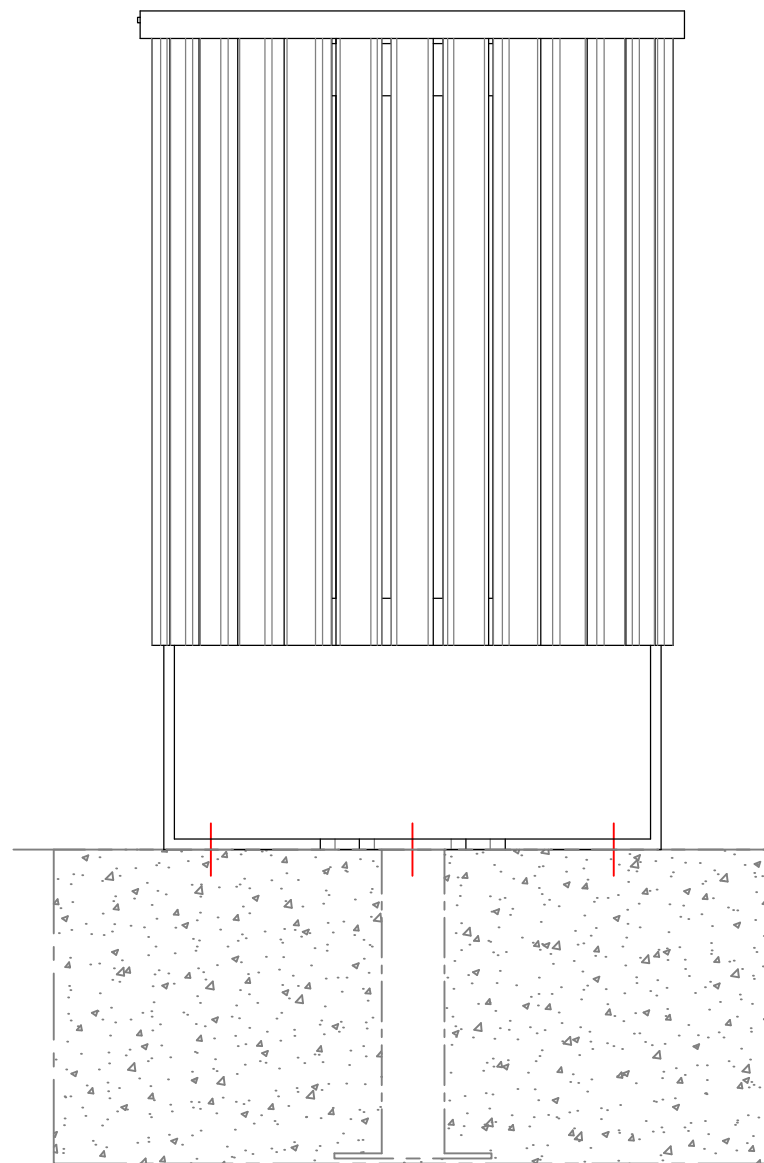
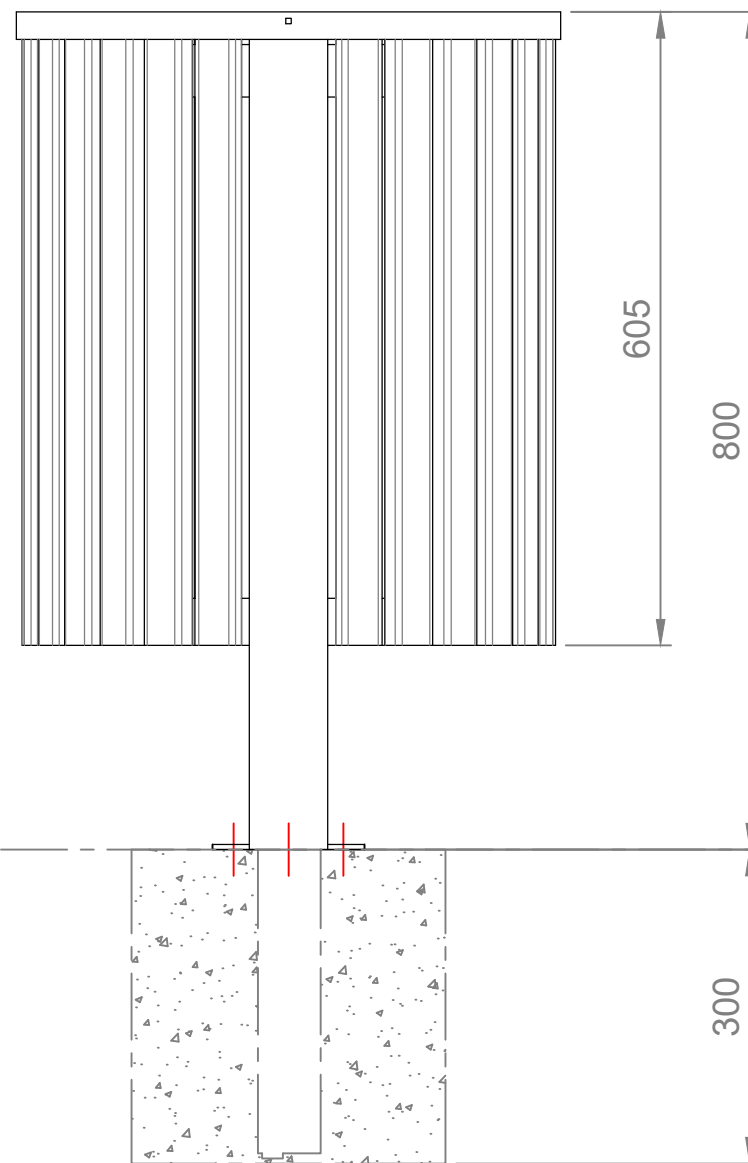


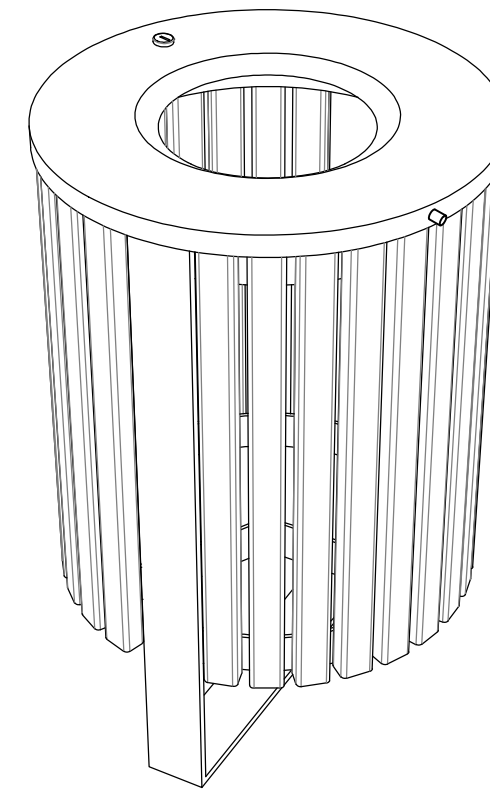
Top view



Front view



Side view



Perspective view

INSTALLATION DETAILS (Recommendations only)

Concrete footing, 25mPa:

- One 685x300x300mm minimum footing size
 - Bolt down to footings with 4x M12x75mm Dynabolts or similar
 - For extended leg option, set furniture into footings
- or

Concrete slab, 25mPa:

- Bolt down to slab with 4x M12x75mm Dynabolts or similar



Commercial Systems Australia Pty. Ltd.

42 Orchard St, Kilsyth South, VIC
 phone: (03) 9723 4111
 fax: (03) 9723 3494
 email: design@commercialsystems.com.au

Model Code: LR6534

Model Description: Manhattan Litter Receptacle

Drawing: CS1563

Sheet Number: 0

Sheet Description: Installation

Drawn By: J.Stuckings

Date Drawn: 15.05.2014

Revision Number: 6

SCALE 1:1

ALL DIMENSIONS IN MILLIMETERS
 UNLESS OTHERWISE STATED
 ALL PARTS CENTRED UNLESS SPECIFIED

TOLERANCES

X	+/- 1mm
X.X	+/- 0.5mm
X.XX	+/- 0.05mm