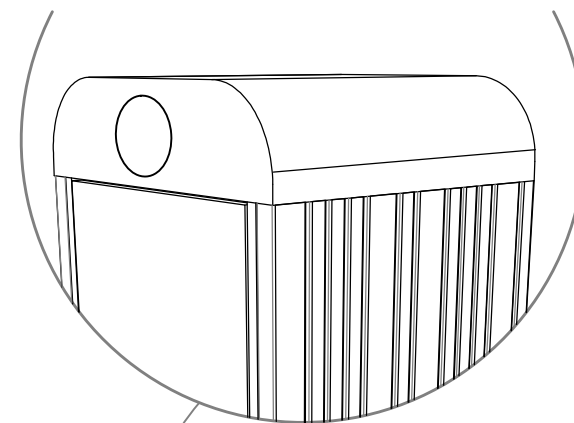


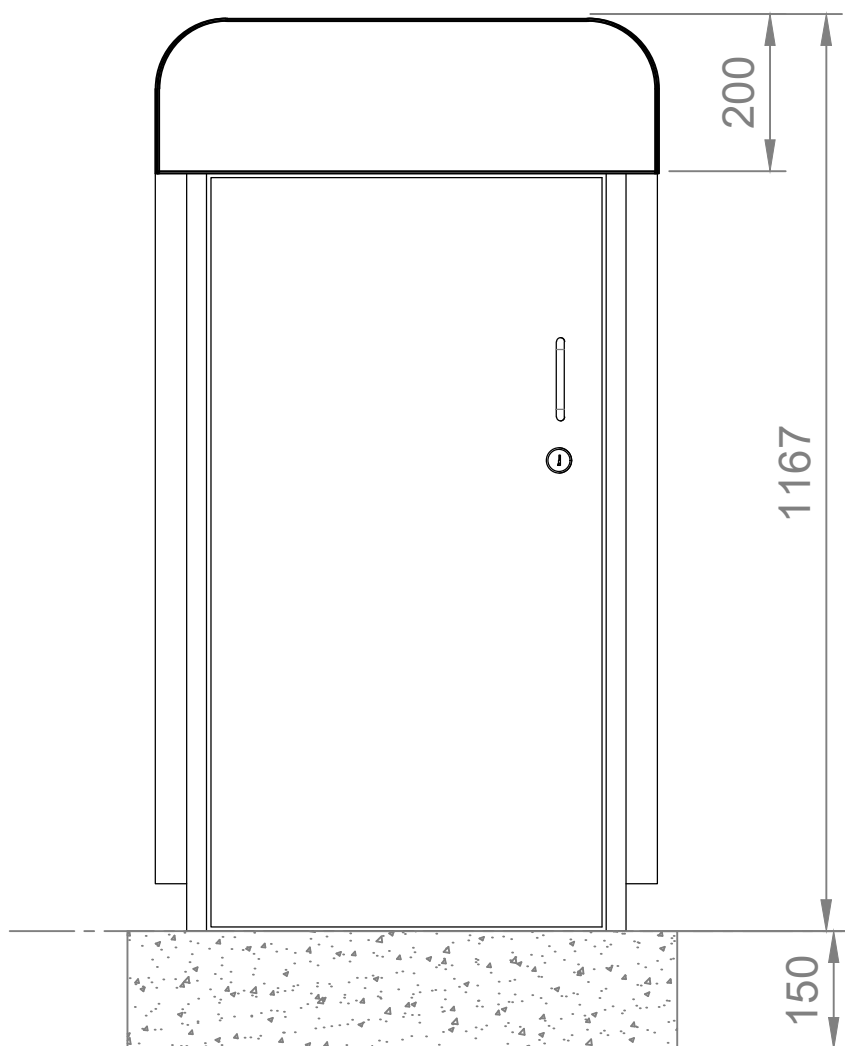
Top view

**INSTALLATION DETAILS (Recommendations only)**

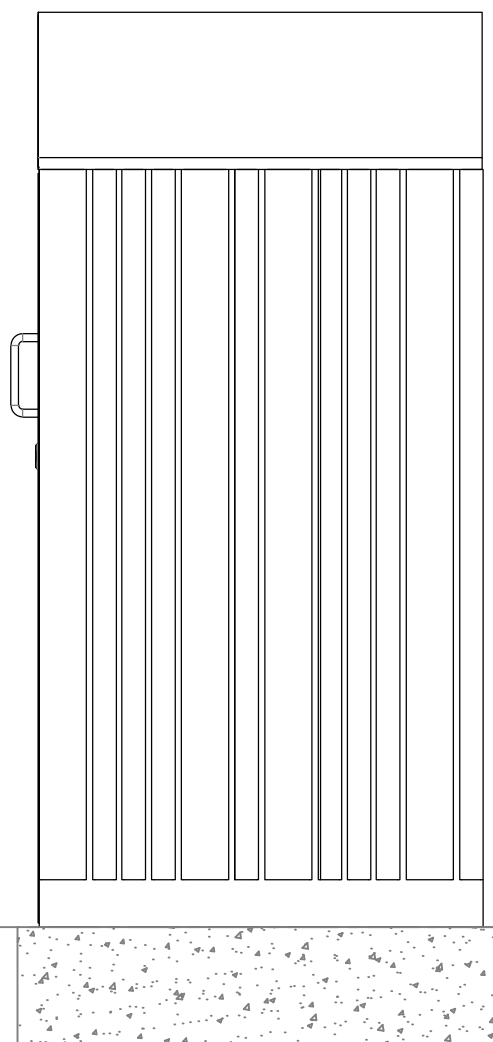
- Concrete footings, 25mPa:  
 - One 700x620x150mm minimum footing size  
 - Bolt down to footings with 6x M12x75mm Dynabolts or similar



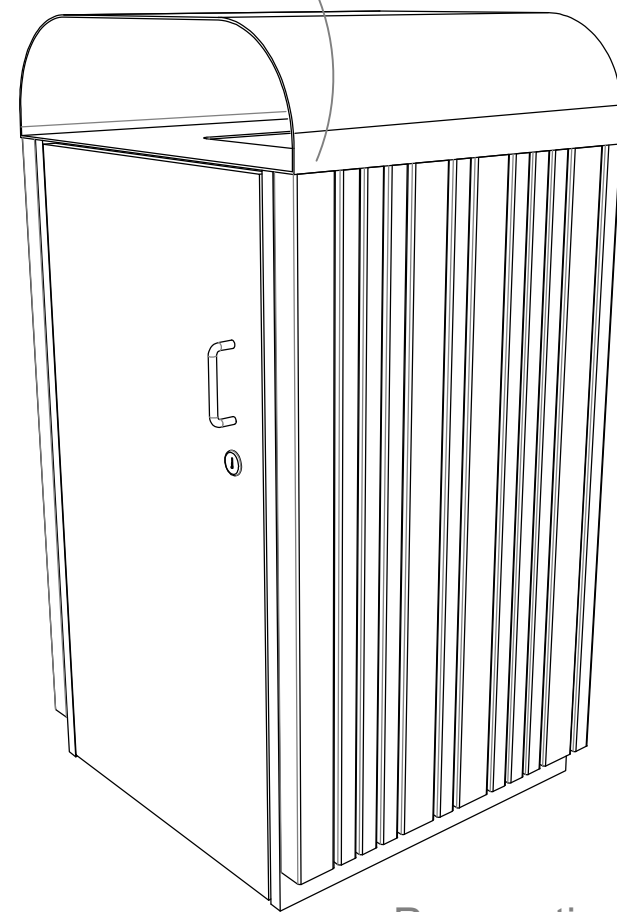
Detail view:  
Recycling lid option



Front view



Right view



Perspective view

Ground level



Commercial Systems Australia Pty. Ltd.  
 42 Orchard St, Kilsyth South, VIC  
 phone: (03) 9723 4111  
 fax: (03) 9723 3494  
 email: design@commercialsystems.com.au

Model Code: LR6532  
 Model Description: 120L Manhattan Bin Enclosure

**Drawing: CS0876**  
 Sheet Number: -  
 Sheet Description: Installation

Drawn By: G.Smith  
 Date Drawn: 27.11.2012  
 Revision Number: 3

SCALE 1:1

ALL DIMENSIONS IN MILLIMETERS  
 UNLESS OTHERWISE STATED  
 ALL PARTS CENTRED UNLESS SPECIFIED

TOLERANCES

X	+/- 1mm
X.X	+/- 0.5mm
X.XX	+/- 0.05mm