

FOOTING CENTRES

Product Length	Footing Centres
1800mm	910mm
1500mm	590mm
2000mm	1140mm

INSTALLATION DETAILS (Recommendations only)

Concrete footings, 25mPa:

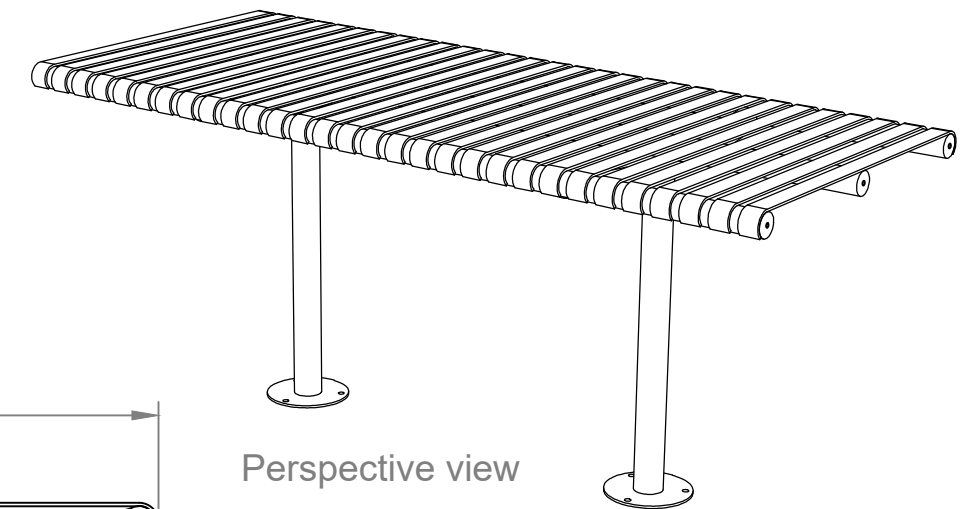
- Two 500x500x500mm minimum footing size
 - Bolt down to footings with 6x M12x75mm Dynabolts or similar
 - For extended leg option, set product(s) into footings
- or

Concrete slab, 25mPa:

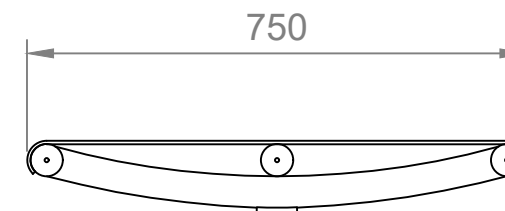
- One 100mm (minimum) thick slab recommended, size to be 100mm wider and 100mm longer than product length



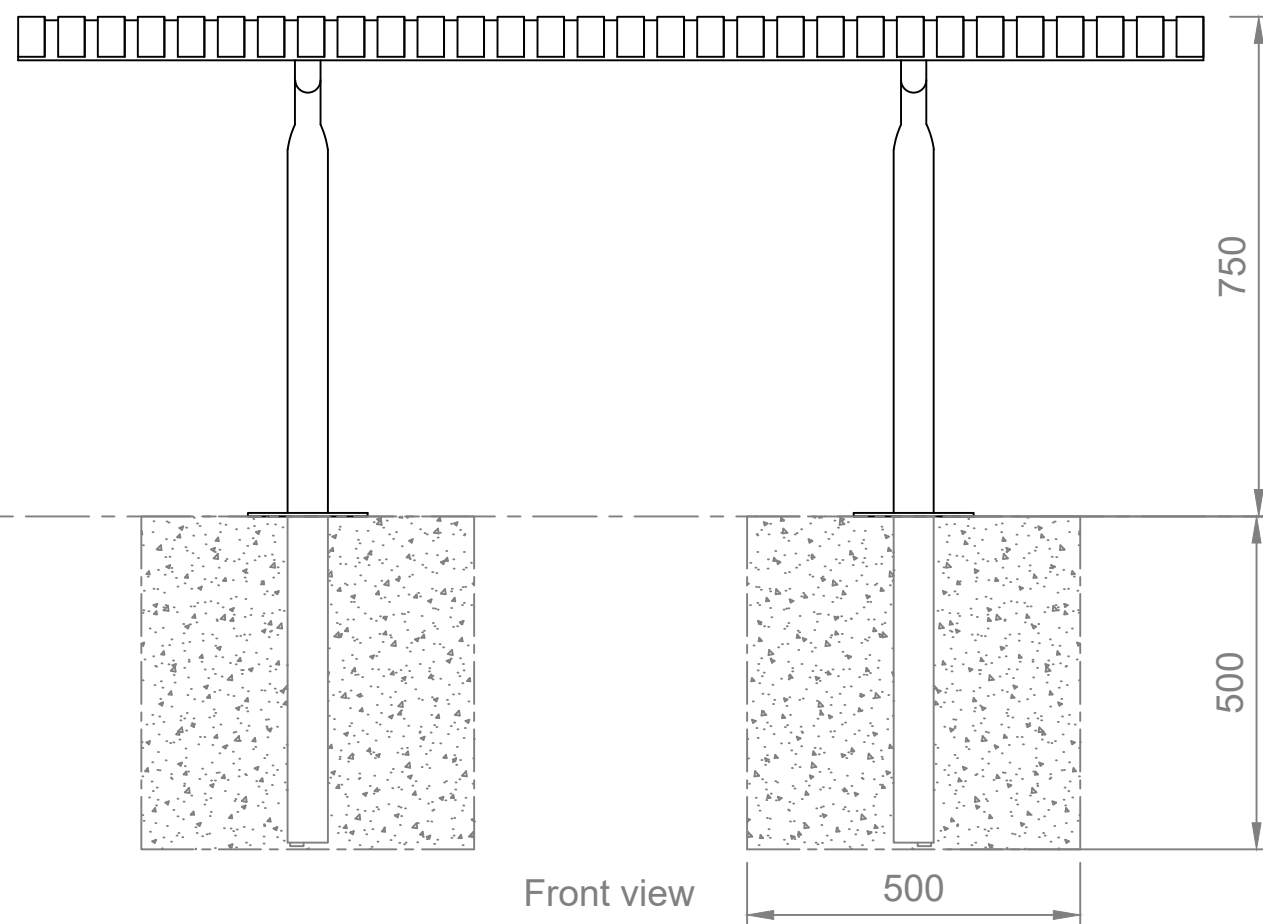
Top view



Perspective view



Right view



Front view

Ground Level



Commercial Systems Australia Pty. Ltd.
 42 Orchard St, Kilsyth South, VIC
 phone: (03) 9723 4111
 fax: (03) 9723 3494
 email: design@commercialsystems.com.au

Model Code: HM3045
 Model Description: Steel Slat Table

Drawing: CS0468

Sheet Number: -
 Sheet Description: Installation

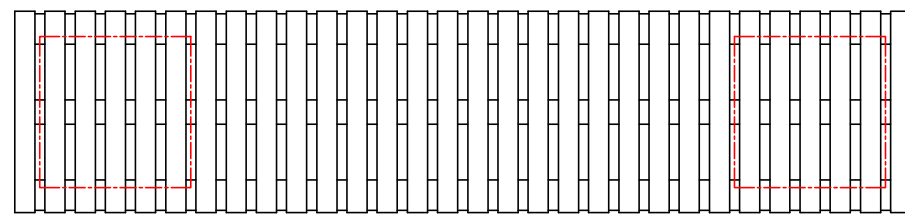
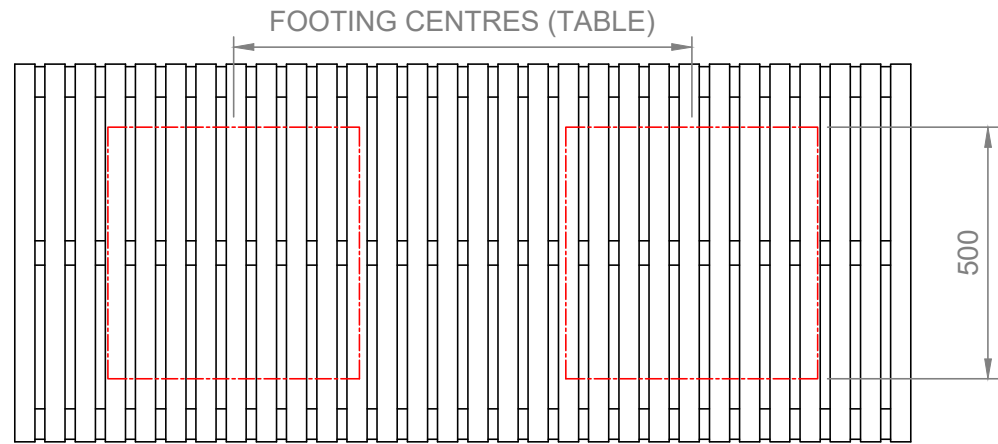
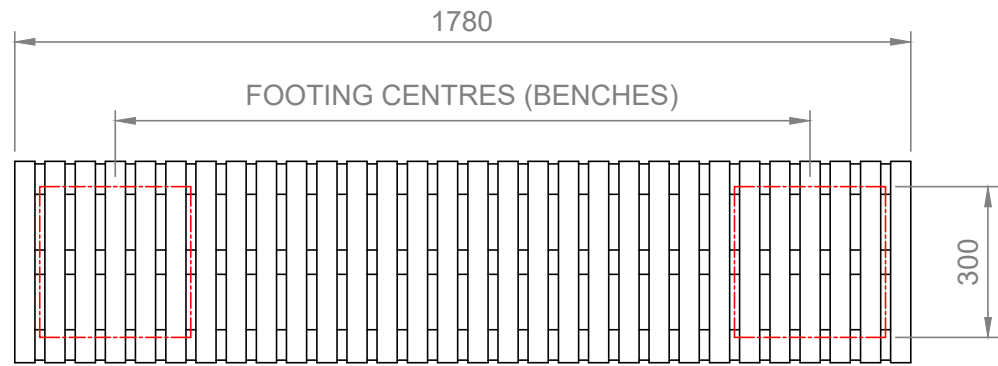
Drawn By: C.Artemiou
 Date Drawn: 16.11.2010
 Revision Number: 3

SCALE 1:1

ALL DIMENSIONS IN MILLIMETERS
 UNLESS OTHERWISE STATED
 ALL PARTS CENTRED UNLESS SPECIFIED

TOLERANCES

X	+/- 1mm
X.X	+/- 0.5mm
X.XX	+/- 0.05mm



Top view

FOOTING CENTRES

Product Length	Footing Centres (Table)	Footing Centres (Benches)
1800mm	910mm	1380mm
1500mm	590mm	1080mm
2000mm	1140mm	1620mm

INSTALLATION DETAILS (Recommendations only)

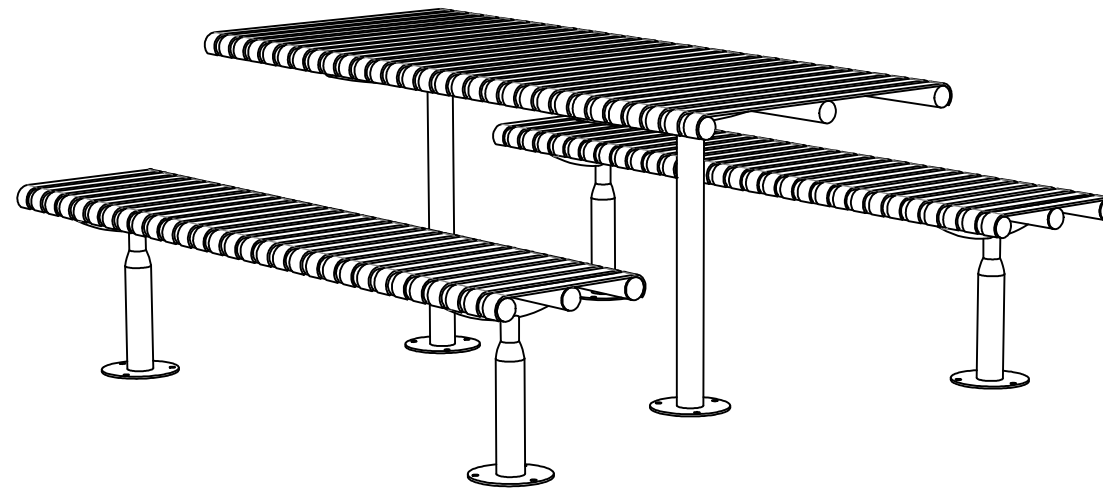
Concrete footings, 25mPa:

- Two 500x500x500mm minimum footing size
- Two 300x300x300mm minimum footing size
- Bolt down to footings with 6x M12x75mm Dynabolts per product, or similar
- For extended leg option, set product(s) into footings

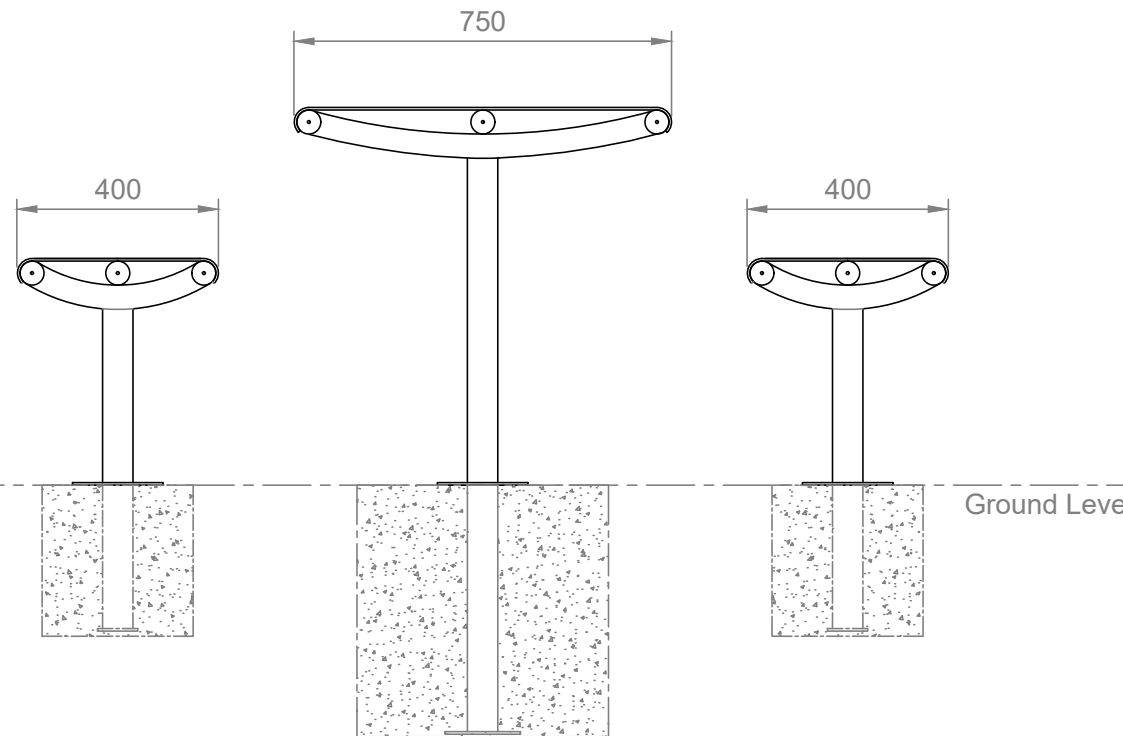
or

Concrete slab, 25mPa:

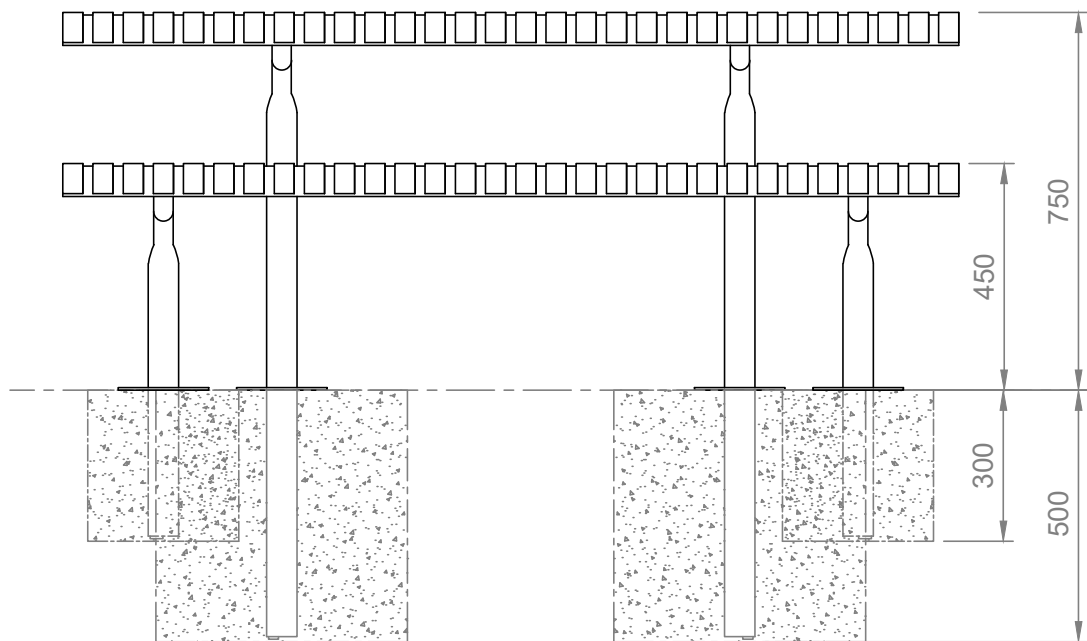
- One 100mm (minimum) thick slab recommended, size to be 100mm wider and 100mm longer than setting length



Perspective view



Right view



Front view

CSA
 Commercial Systems Australia Pty. Ltd.
 42 Orchard St, Kilsyth South, VIC
 phone: (03) 9723 4111
 fax: (03) 9723 3494
 email: design@commercialsystems.com.au

Model Code: HM3045
 Model Description: Steel Slat Table

Drawing: CS0468

Sheet Number: -
 Sheet Description: Installation - Setting

Drawn By: C.Artemiou
 Date Drawn: 16.11.2010
 Revision Number: 4

SCALE 1:1

ALL DIMENSIONS IN MILLIMETERS
 UNLESS OTHERWISE STATED
 ALL PARTS CENTRED UNLESS SPECIFIED

TOLERANCES

X	+/- 1mm
X.X	+/- 0.5mm
X.XX	+/- 0.05mm