

INSTALLATION DETAILS (Recommendations only)

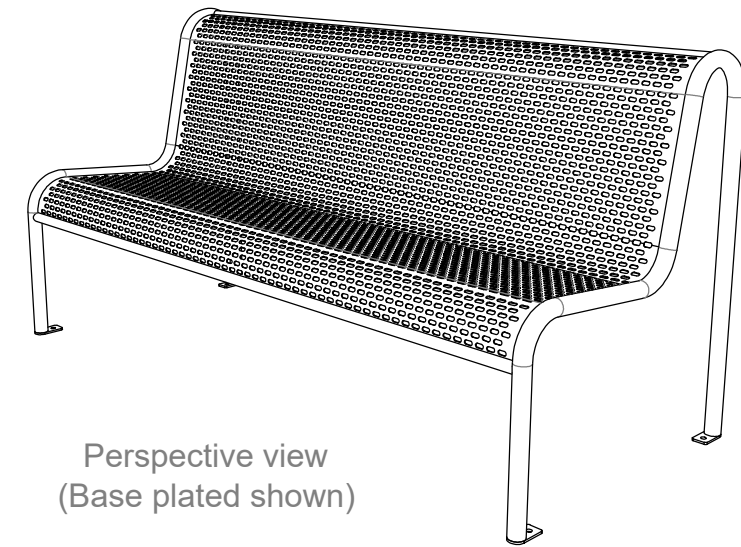
Concrete footings, 25mPa:

- Four 300x300x300mm minimum footing size
- Bolt down to footings with 4x M12x75mm Dynabolts or similar
- For extended leg option, set product(s) into footings

or

Concrete slab, 25mPa:

- One 2000x100x100mm (minimum) thick slab recommended



Commercial Systems Australia Pty. Ltd.

42 Orchard St, Kilsyth South, VIC

phone: (03) 9723 4111

fax: (03) 9723 3494

email: design@commercialsystems.com.au

Model Code: PM2018

Model Description: Perforated Metal Seat

Drawing: CS0370

Sheet Number: -

Sheet Description: Installation

Drawn By: C.Artemiou

Date Drawn: 24.06.2010

Revision Number: 1

Revision Details: R1 KS 25.08.15 Rolling info added

SCALE 1:1

ALL DIMENSIONS IN MILLIMETERS
UNLESS OTHERWISE STATED
ALL PARTS CENTRED UNLESS SPECIFIED

TOLERANCES

X +/- 1mm

X.X +/- 0.5mm

X.XX +/- 0.05mm