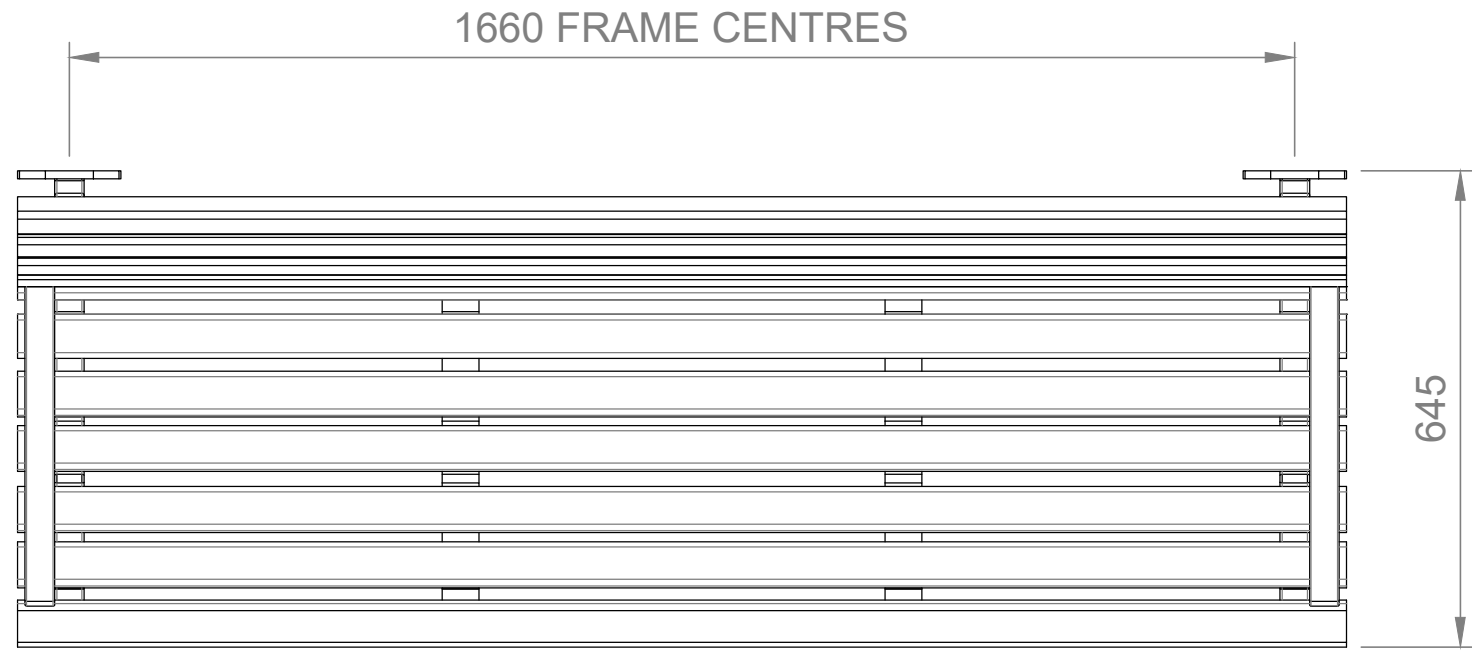
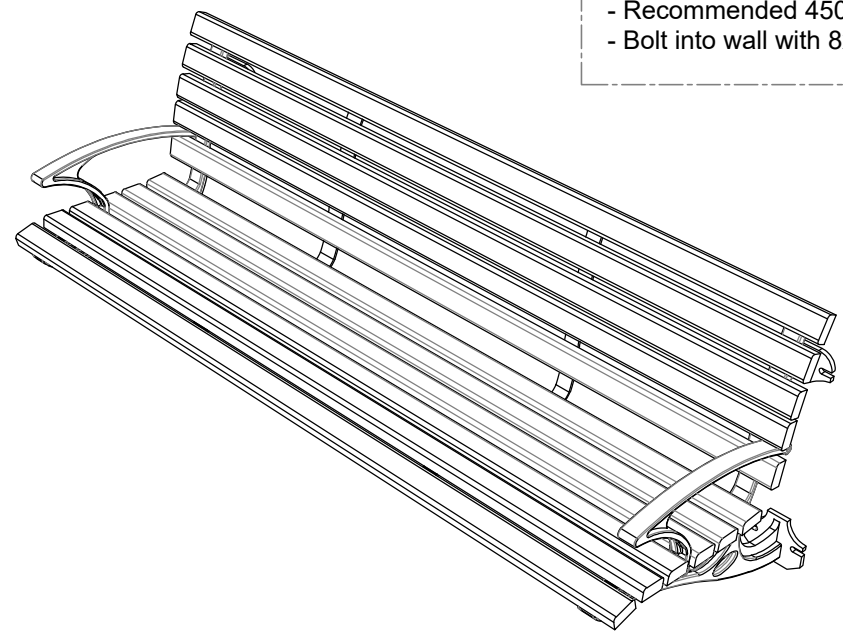


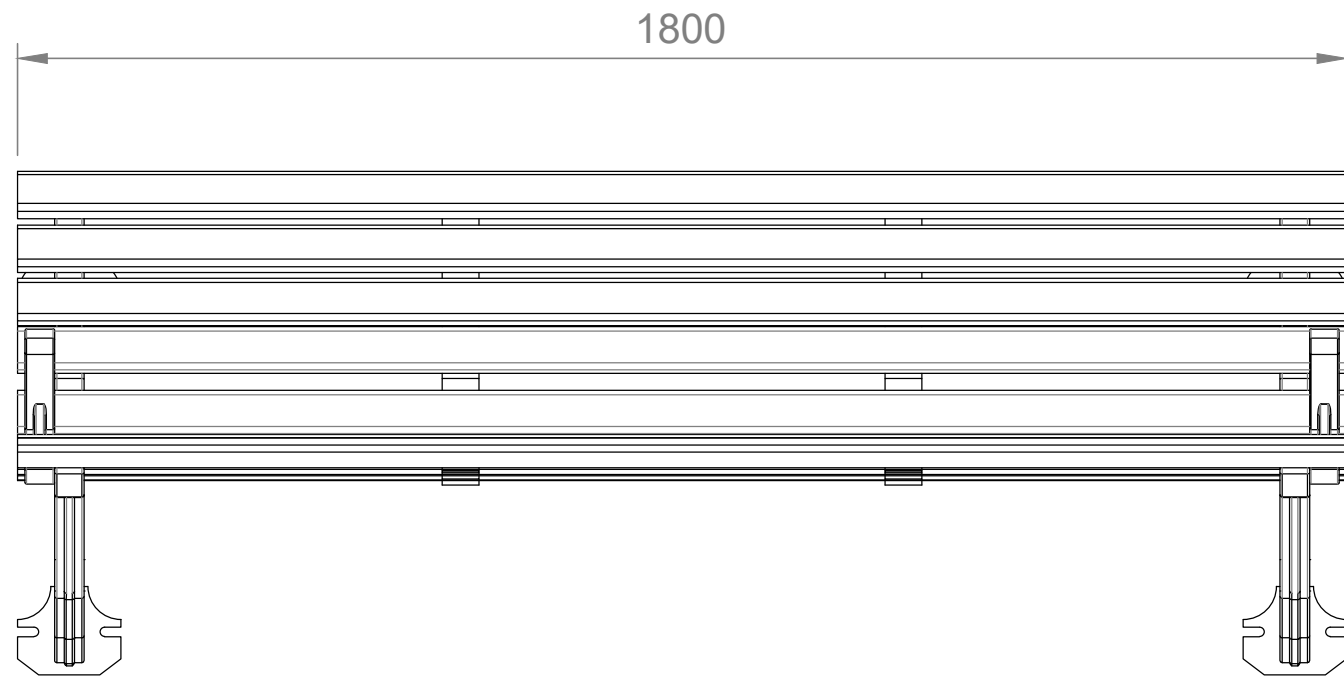
INSTALLATION DETAILS (Recommendations only)
Wall fixed:
 - 100mm minimum wall thickness
 - Recommended 450mm height from seat base to ground
 - Bolt into wall with 8x M12x75mm Dynabolts or similar



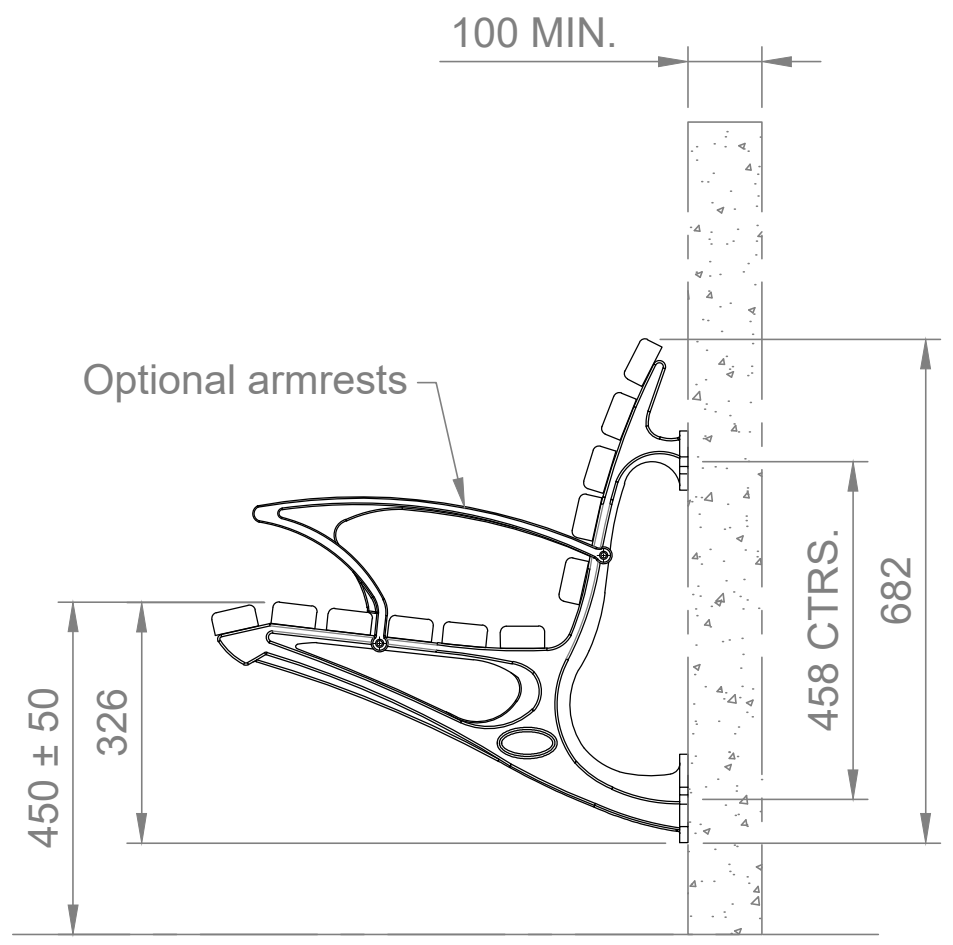
Top view



Perspective view



Front view



Right view



Commercial Systems Australia Pty. Ltd.
 42 Orchard St, Kilsyth South, VIC
 phone: (03) 9725 9344
 fax: (03) 9725 9744
 email: design@commercialsystems.com.au

Model Code: TM4254
 Model Description: Wyndham Wall Seat

Drawing: CS0288
 Sheet Number: -
 Sheet Description: Installation

Drawn By: C.Artemiou
 Date Drawn: 19.04.2010
 Revision Number: 7

SCALE 1:1

ALL DIMENSIONS IN MILLIMETERS
 UNLESS OTHERWISE STATED
 ALL PARTS CENTRED UNLESS SPECIFIED

TOLERANCES

X	+/- 1mm
X.X	+/- 0.5mm
X.XX	+/- 0.05mm