

Top view

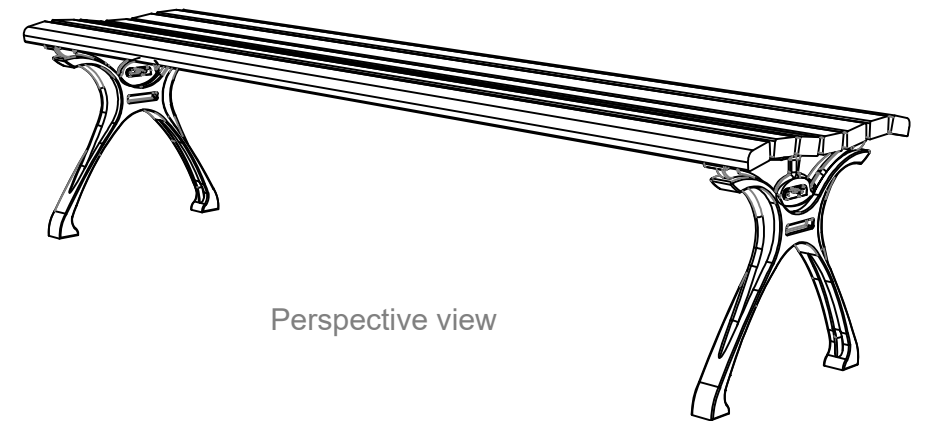
INSTALLATION DETAILS (Recommendations only)

Concrete footings, 25mPa:

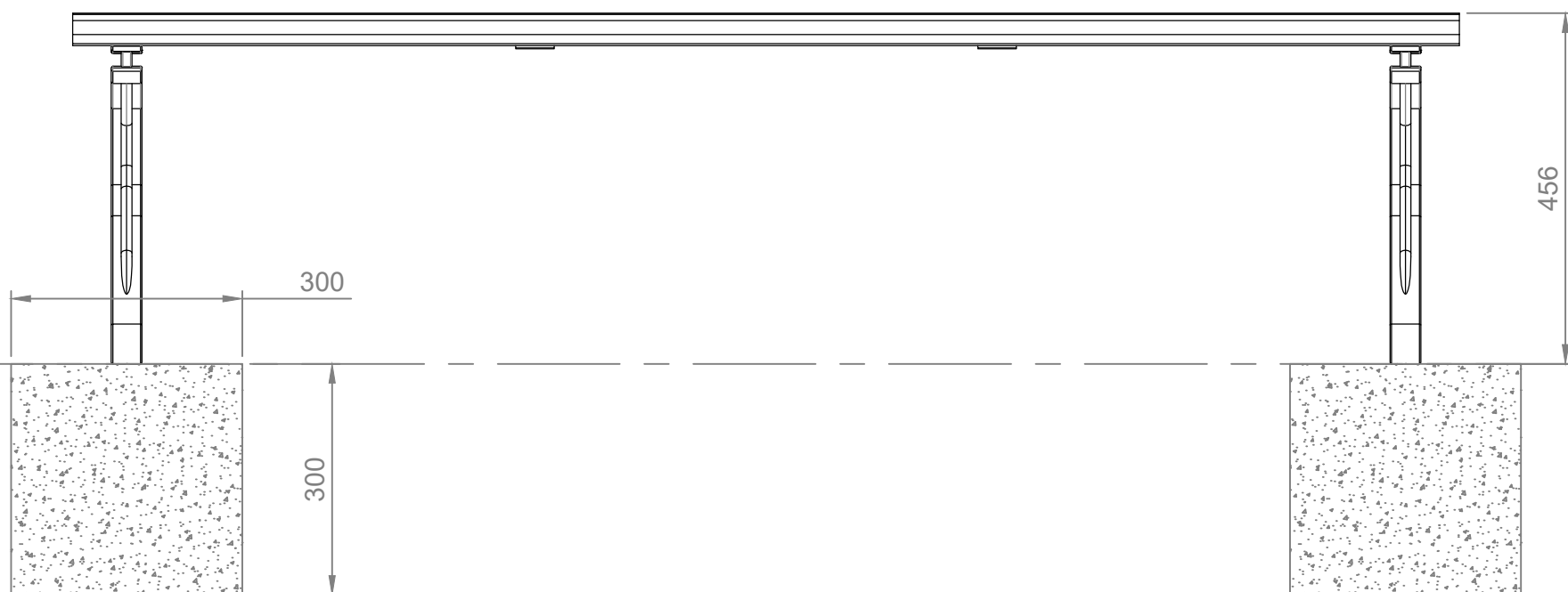
- Four 300x300x300mm minimum footing size
 - Bolt down to footings with 4x M12x75mm Dynabolts or similar
 - For extended leg option, set furniture into footings
- or

Concrete slab, 25mPa:

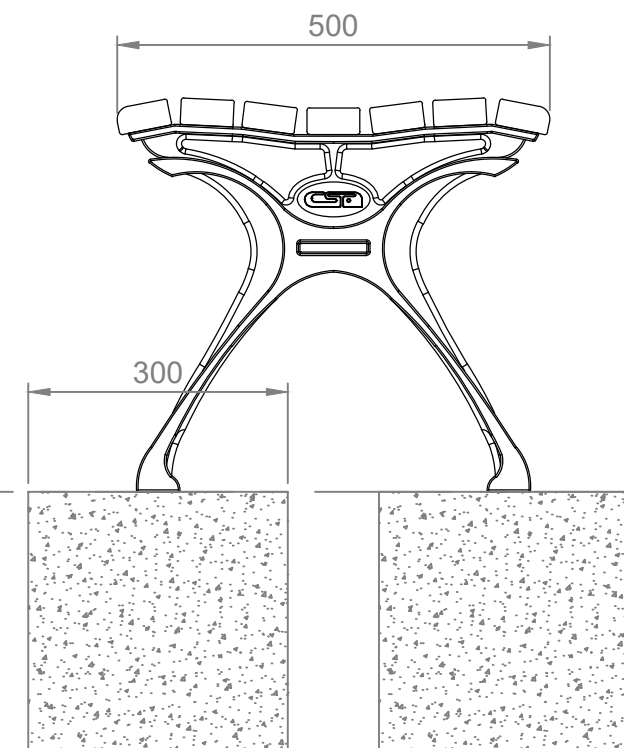
- One 1900x600x100mm (minimum) thick slab recommended



Perspective view



Front view



Right view



Commercial Systems Australia Pty. Ltd.

42 Orchard St, Kilsyth South, VIC
phone: (03) 9725 9344
fax: (03) 9725 9744
email: design@commercialsystems.com.au

Model Code: TM4258

Model Description: Wyndham Bench

Drawing: CS0286

Sheet Number: -

Sheet Description: Installation

Ground level Drawn By: C.Artemiou

Date Drawn: 19.04.2010

Revision Number: 5

SCALE 1:1

ALL DIMENSIONS IN MILLIMETERS
UNLESS OTHERWISE STATED
ALL PARTS CENTRED UNLESS SPECIFIED

TOLERANCES

X	+/- 1mm
X.X	+/- 0.5mm
X.XX	+/- 0.05mm