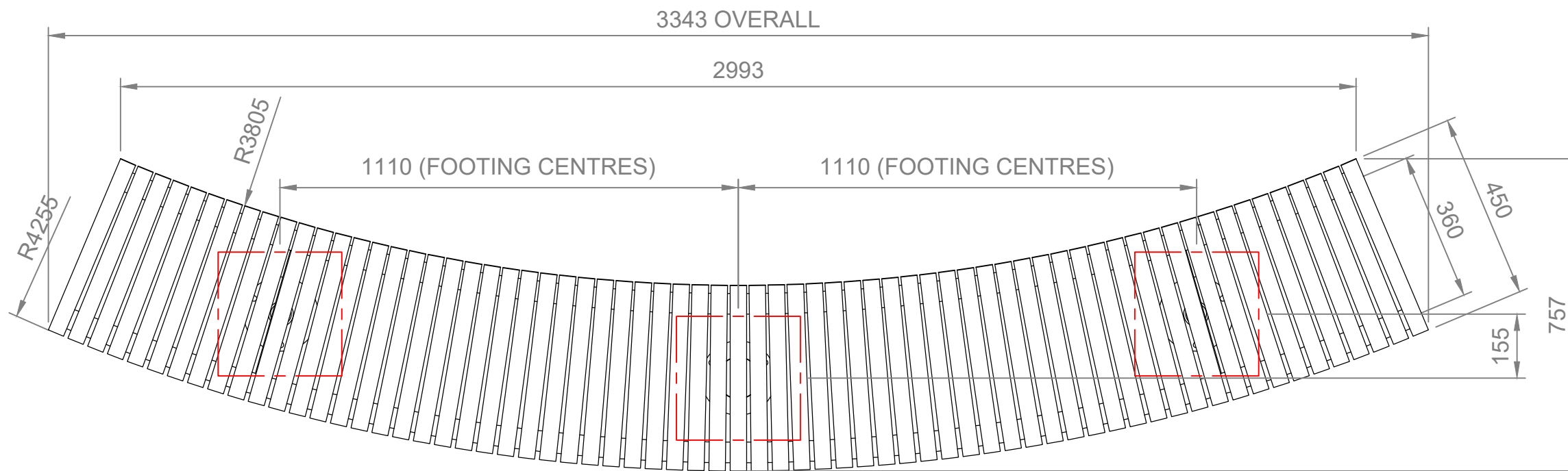
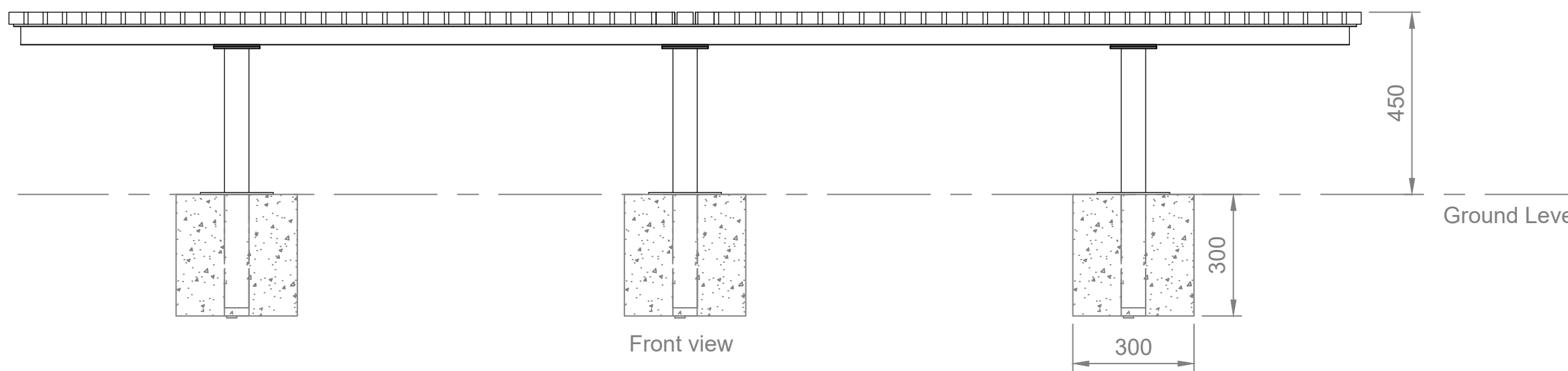


Perspective view
(Base plated shown)

INSTALLATION DETAILS (Recommendations only)
Concrete footings, 25mPa:
 - Three 300x300x300mm minimum footing size
 - Bolt down to footings with 9x M12x75mm Dynabolts or similar
 - For extended leg option, set product(s) into footings
 or
Concrete slab, 25mPa (Bolt down only):
 - One 4000x900x100mm (minimum) thick slab recommended



Top view



Front view



Commercial Systems Australia Pty. Ltd.
 42 Orchard St, Kilsyth South, VIC
 phone: (03) 9723 4111
 fax: (03) 9723 3494
 email: design@commercialsystems.com.au

Model Code: TM4352
 Model Description: Berwick Curved Bench 3m

Drawing: CS0209

Sheet Number: -
 Sheet Description: Installation

Drawn By: C.Artemiou
 Date Drawn: 20.01.2010

SCALE 1:1

ALL DIMENSIONS IN MILLIMETERS
 UNLESS OTHERWISE STATED
 ALL PARTS CENTRED UNLESS SPECIFIED

TOLERANCES

X	+/- 1mm
X.X	+/- 0.5mm
X.XX	+/- 0.05mm

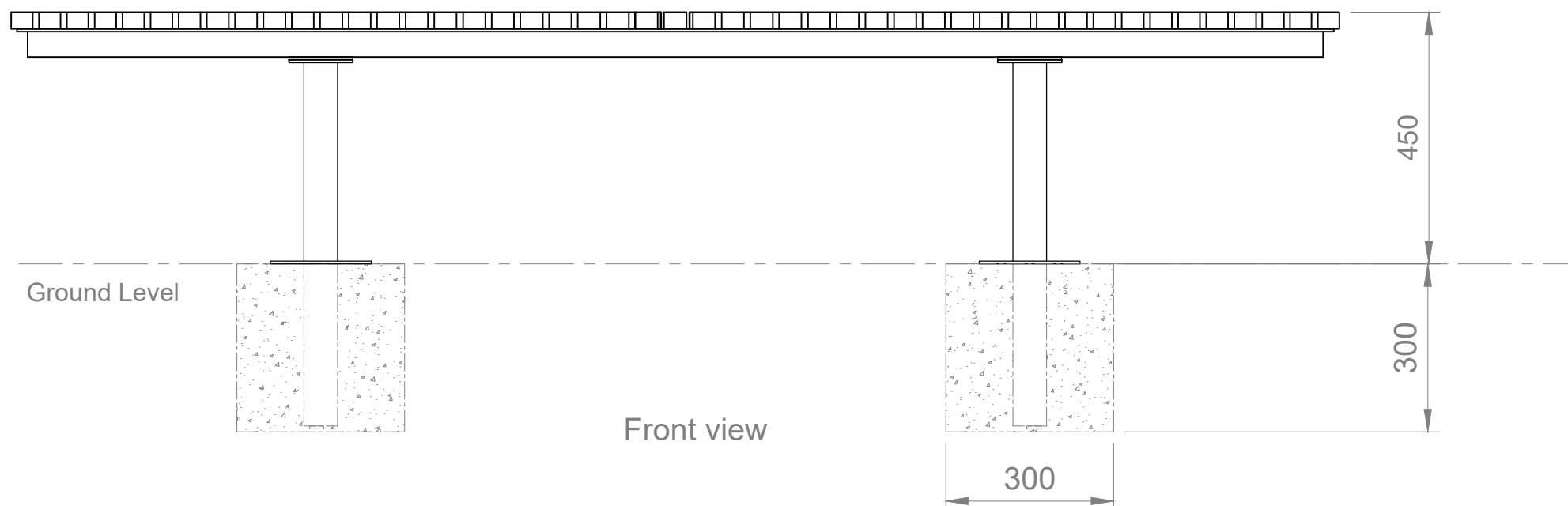
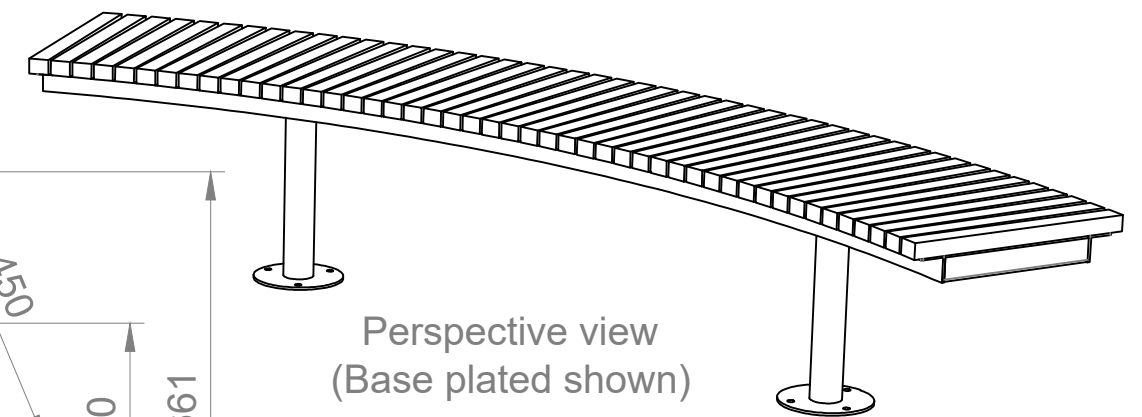
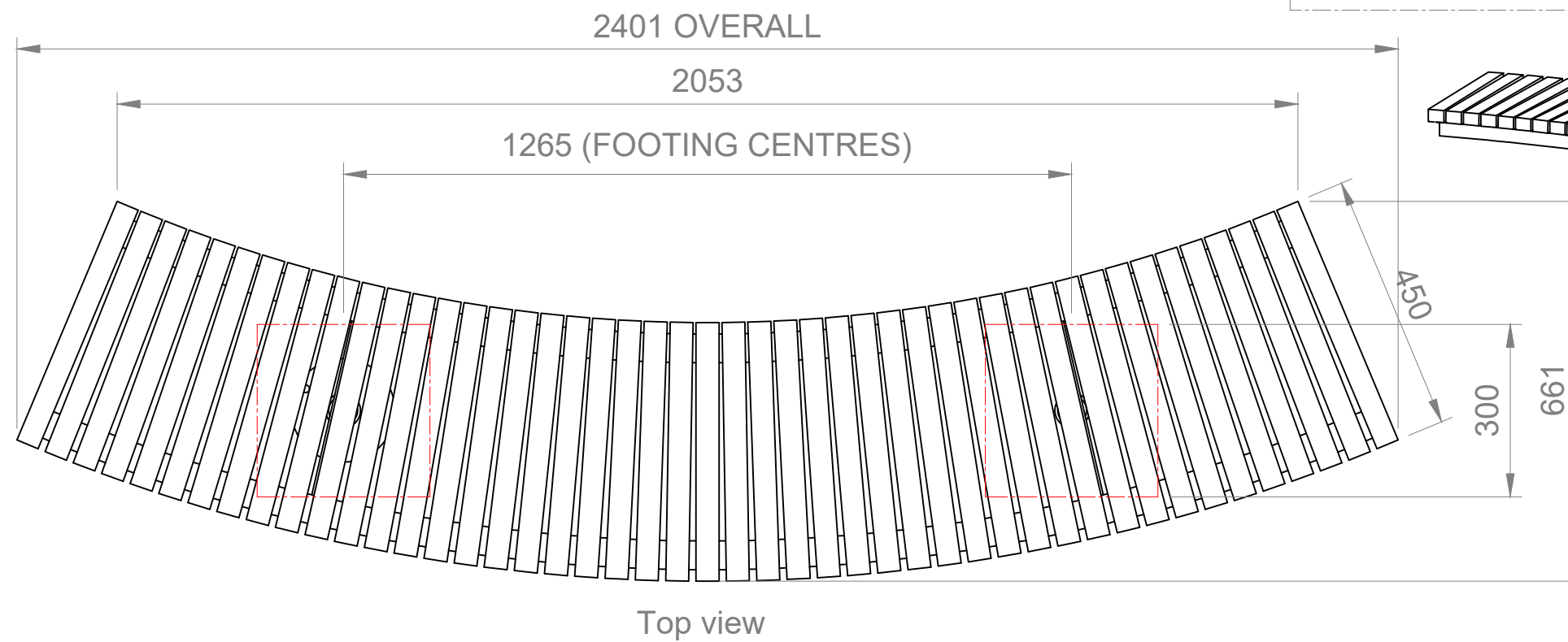
INSTALLATION DETAILS (Recommendations only)

Concrete footings, 25mPa:

- Two 300x300x300mm minimum footing size
 - Bolt down to footings with 6x M12x75mm Dynabolts or similar
 - For extended leg option, set product(s) into footings
- or

Concrete slab, 25mPa:

- One 2600x800x100mm (minimum) thick slab recommended



Commercial Systems Australia Pty. Ltd.

42 Orchard St, Kilsyth South, VIC
phone: (03) 9723 4111
fax: (03) 9723 3494
email: design@commercialsystems.com.au

Model Code: TM4351

Model Description: Berwick Curved Bench 2m

Drawing: CS2242

Sheet Number: -
Sheet Description: Installation

Drawn By: K.Sohanpal

Date Drawn: 06.07.2015

Revision Number: 4

SCALE 1:1

ALL DIMENSIONS IN MILLIMETERS
UNLESS OTHERWISE STATED
ALL PARTS CENTRED UNLESS SPECIFIED

TOLERANCES

X +/- 1mm

X.X +/- 0.5mm

X.XX +/- 0.05mm