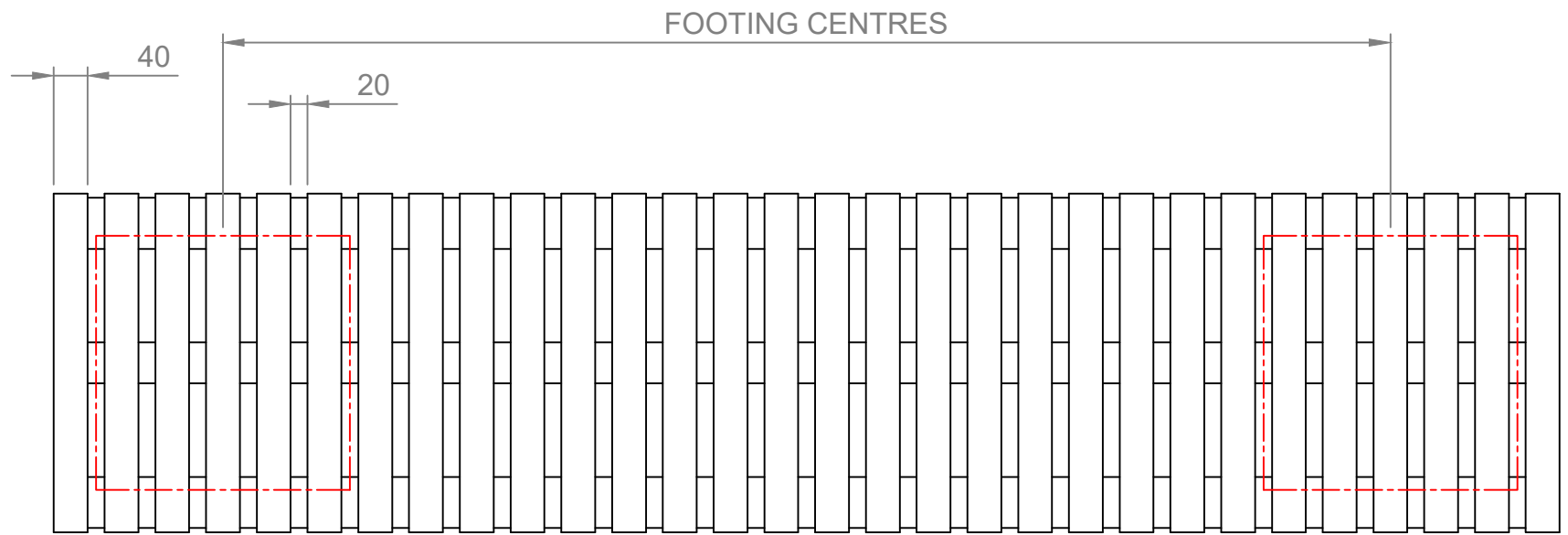


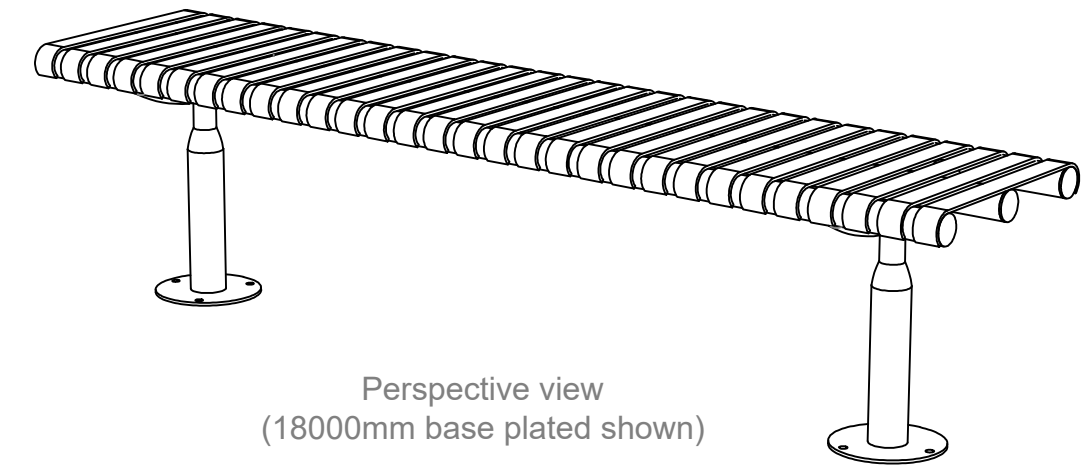
FOOTING CENTRES

Product Length	Footing Centres
1800mm	1380mm
1500mm	1080mm
2000mm	1620mm
2400mm	1980mm

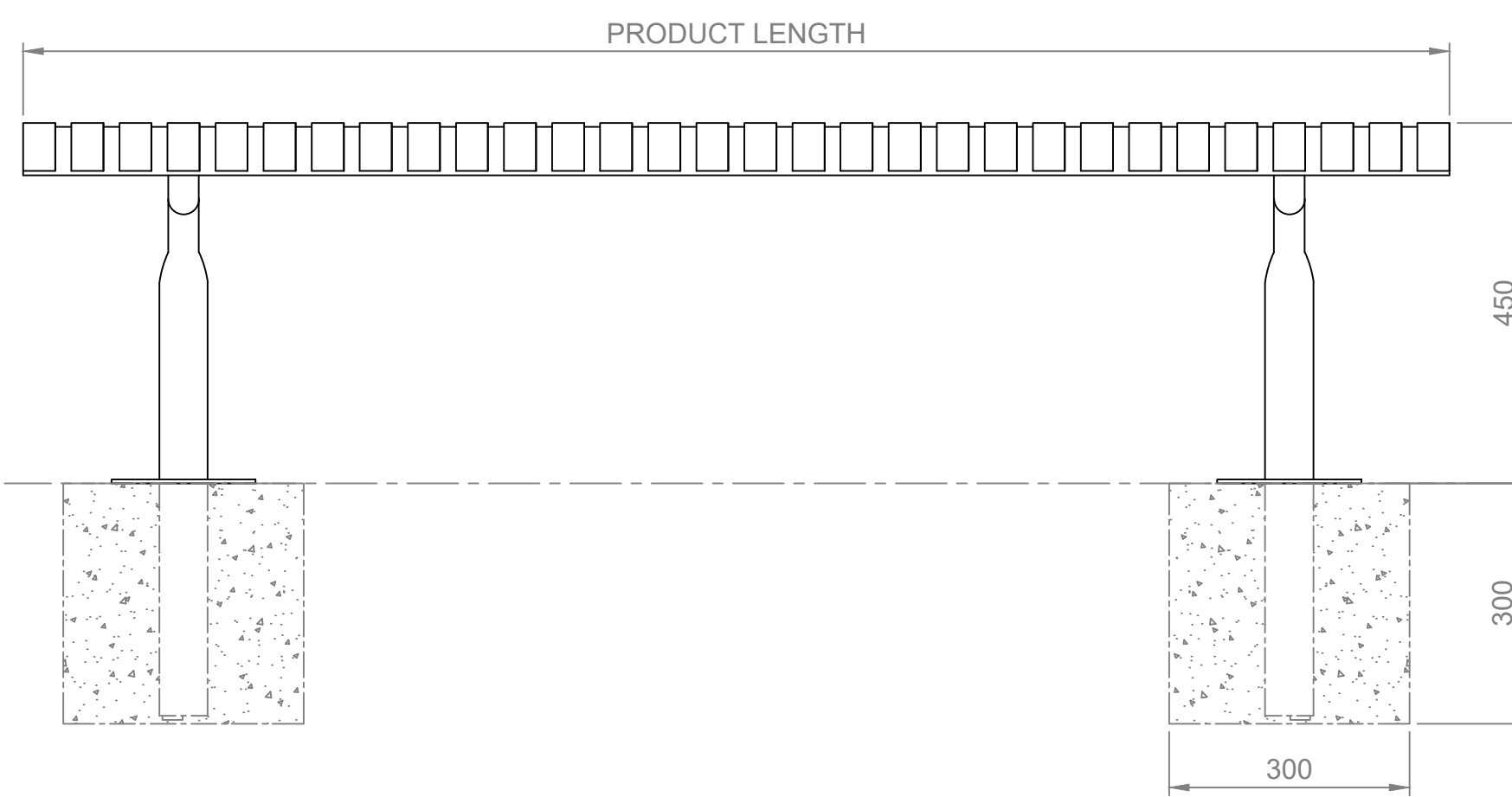
INSTALLATION DETAILS (Recommendations only)
Concrete footings, 25mPa:
 - Two 300x300x300mm minimum footing size
 - Bolt down to footings with 6x M12x75mm Dynabolts or similar
 - For extended leg option, set product(s) into footings
 or
Concrete slab, 25mPa:
 - One 1900x500x100mm (minimum) thick slab recommended



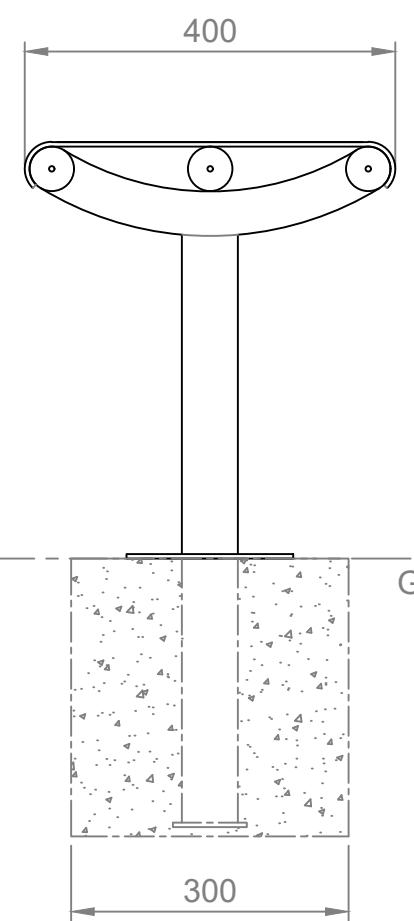
Top view



Perspective view
(18000mm base plated shown)



Front view



Right view

CSA
 Commercial Systems Australia Pty. Ltd.
 42 Orchard St, Kilsyth South, VIC
 phone: (03) 9725 9344
 fax: (03) 9725 9744
 email: design@commercialsystems.com.au

Model Code: HM3010
 Model Description: Steel Slat Bench

Drawing: CS0084
 Sheet Number: -
 Sheet Description: Installation

Drawn By: G.Smith
 Date Drawn: 16.07.2009
 Revision Number: 2

SCALE 1:1

ALL DIMENSIONS IN MILLIMETERS
 UNLESS OTHERWISE STATED
 ALL PARTS CENTRED UNLESS SPECIFIED

TOLERANCES
 X +/- 1mm
 X.X +/- 0.5mm
 X.XX +/- 0.05mm