



Commercial Systems  
Australia Pty. Ltd.



#### DIMENSIONS

Length: 2000mm  
Height: 800mm  
Width: 1760mm

#### MATERIALS

Body: Mild Steel

#### FINISHES

Body: Powdercoated any standard Dulux Powdercoat colour; or Galvanised

#### FIXINGS

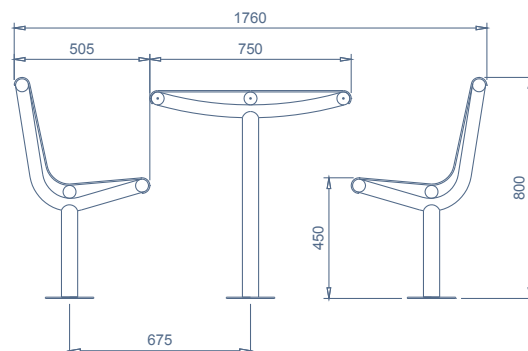
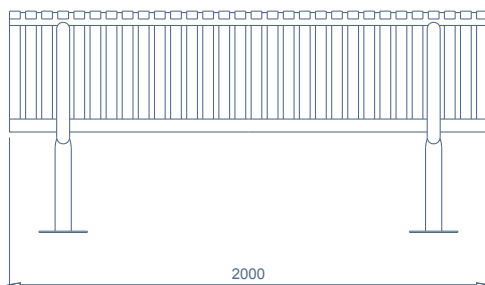
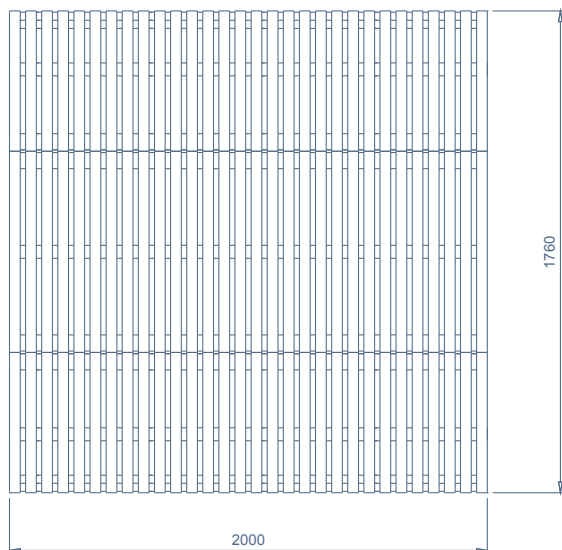
1. Bolt Fixed, Drill through base and bolt into concrete pad  
Bolts: M12 zinc plated Dynabolts
2. Extended Leg, Leg extended and set into the ground with concrete

#### WHEELCHAIR ACCESSABILITY

Legs set in at both ends of table 450mm for wheelchair access.

#### OTHER OPTIONS

Length: Also available in 1500mm, 1800mm and 2400mm long  
Material: Stainless steel body  
Call and talk to one of our Product Design engineers to discuss other custom requirements



Commercial Systems  
Australia Pty. Ltd.

49-51 Vinter Avenue  
Croydon 3136  
Victoria, Australia

Phone: (03) 9725 9344  
Fax: (03) 9725 9744  
web: [www.commercialsystems.com.au](http://www.commercialsystems.com.au)

# HM 3045 S



## Steel Slat Setting with Steel Slat Seat