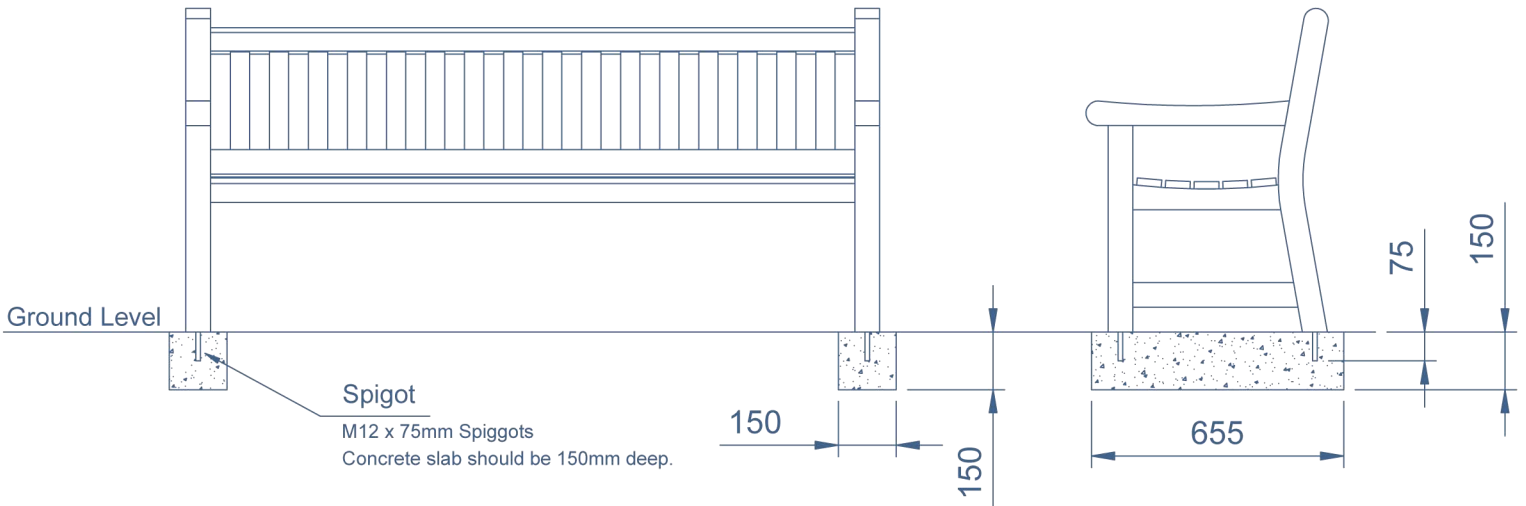
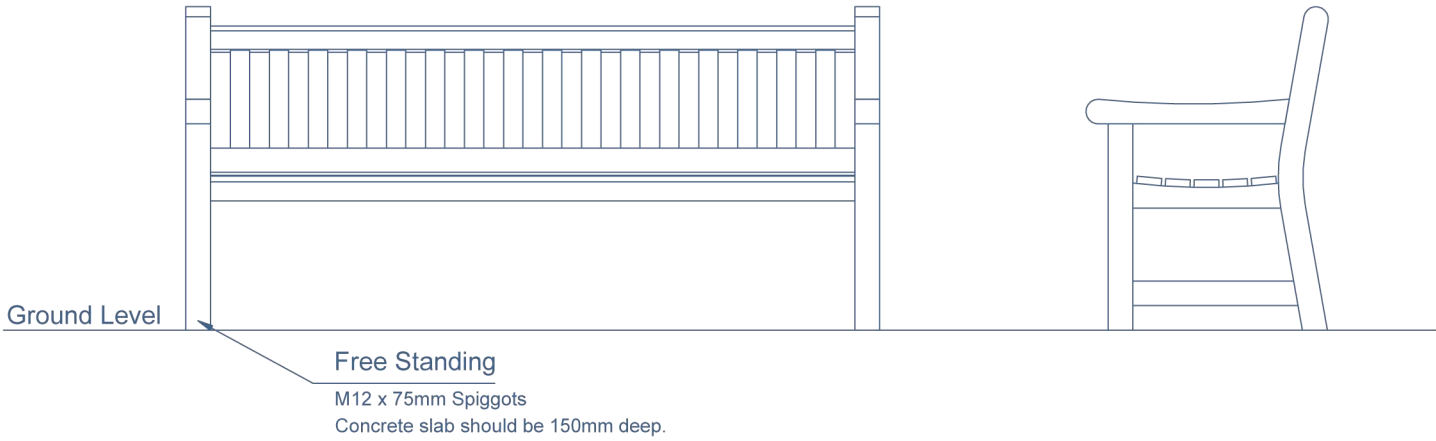




Commercial Systems  
Australia Pty. Ltd.



Commercial Systems  
Australia Pty. Ltd.

49-51 Vinter Avenue  
Croydon 3136  
Victoria, Australia

Phone: (03) 9725 9344  
Fax: (03) 9725 9744  
web: [www.commercialsystems.com.au](http://www.commercialsystems.com.au)

#### FIXINGS

1. Free Standing, No fixing mechanism
2. Spigot Fixed, Drill 75mm and chemset spigots into concrete.

# Timber Furniture

## Installation Instructions

Product dimensions may vary to meet manufacturing requirements and are subject to the availability of materials. Installation Instructions are recommendations only and will vary depending on ground condition and other environmental impacts. The information, drawings and specifications provided are the intellectual property of Commercial Systems Australia Pty. Ltd. and as such are covered under the laws of Australian copyright and may not be reproduced, copied or distributed without written authority and approval from Commercial Systems Australia Pty. Ltd. Product data may change. Consult prior to specification.