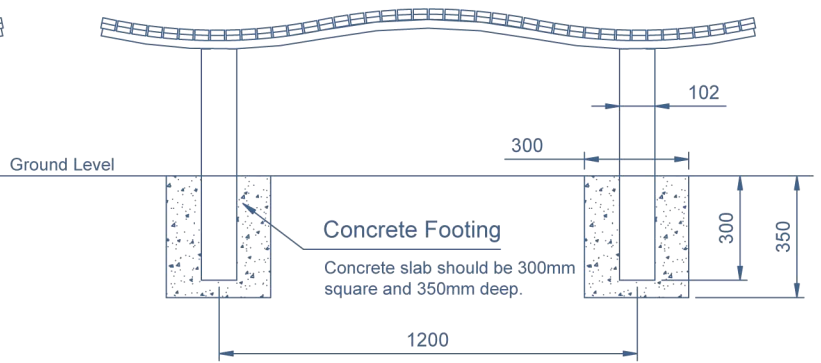


BOLT DOWN INSTALLATION



EXTENDED LEG INSTALLATION

**Commercial Systems
Australia Pty. Ltd.**

49-51 Vinter Avenue
Croydon 3136
Victoria, Australia

Phone: (03) 9725 9344
Fax: (03) 9725 9744
web: www.commercialsystems.com.au

FIXINGS

1. Extended Leg, Extended leg fixed into ground with concrete
2. Bolt Fixed, Drill through base and bolt into concrete pad Bolts: M12 x 100mm, zinc plated Dynabolts

TM4310

Installation Instructions