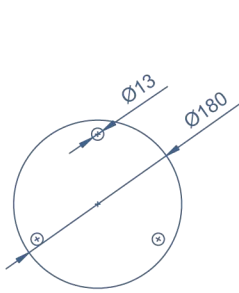
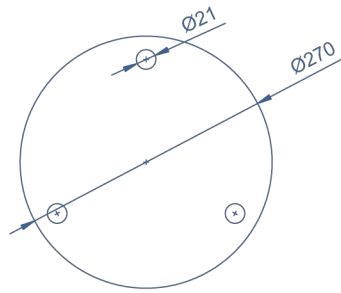




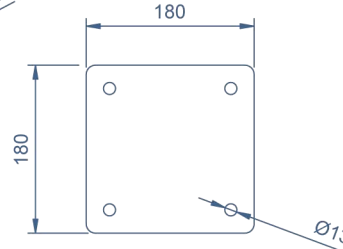
Commercial Systems
Australia Pty. Ltd.



Use 3x M12 by 100mm Dynabolts

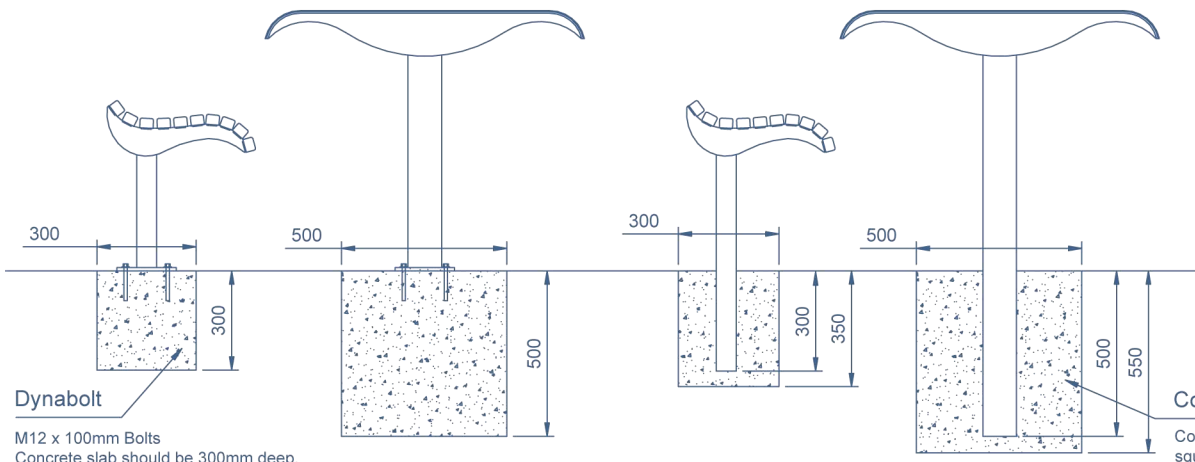
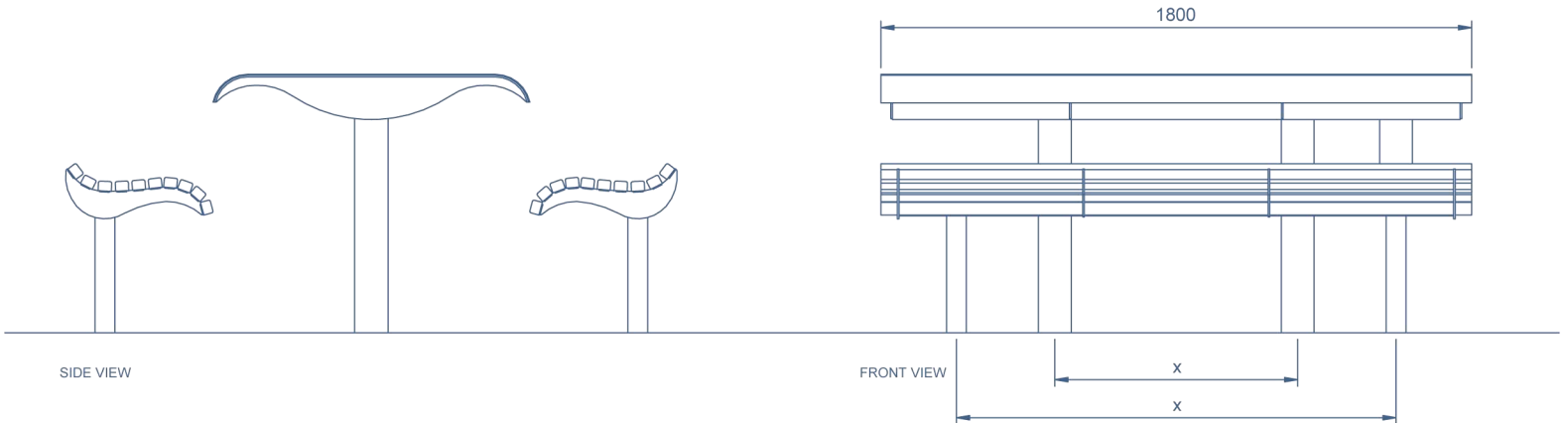


Use 3x M20 by 150mm Dynabolts



Use 4x M12 by 100mm Dynabolts

Common Base Plate Sizes



Dynabolt
M12 x 100mm Bolts
Concrete slab should be 300mm deep.

BOLT DOWN INSTALLATION

EXTENDED LEG INSTALLATION

Concrete Footing
Concrete slab should be 300mm square and 350mm deep.

Commercial Systems
Australia Pty. Ltd.

49-51 Vinter Avenue
Croydon 3136
Victoria, Australia

Phone: (03) 9725 9344
Fax: (03) 9725 9744
web: www.commercialsystems.com.au

FIXINGS

1. Extended Leg, Extended leg fixed into ground with concrete
2. Bolt Fixed, Drill through base and bolt into concrete pad Bolts: M12 x 100mm, zinc plated Dynabolts

Seat, Bench or Table

Installation Instructions

Product dimensions may vary to meet manufacturing requirements and are subject to the availability of materials. Installation Instructions are recommendations only and will vary depending on ground condition and other environmental impacts. The information, drawings and specifications provided are the intellectual property of Commercial Systems Australia Pty. Ltd. and as such are covered under the laws of Australian copyright and may not be reproduced, copied or distributed without written authority and approval from Commercial Systems Australia Pty. Ltd. Product data may change. Consult prior to specification.