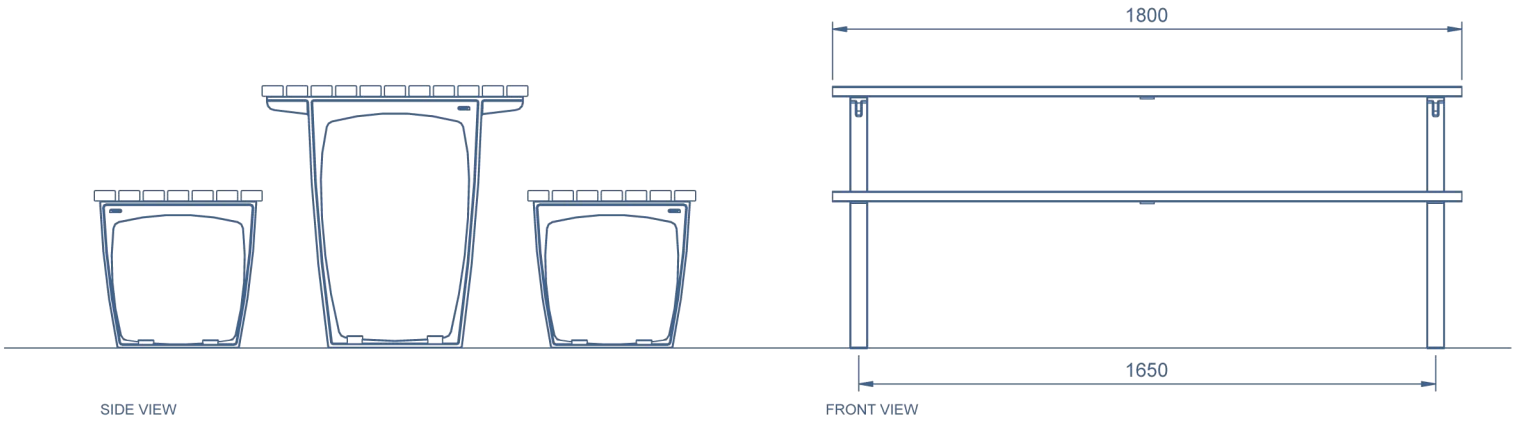


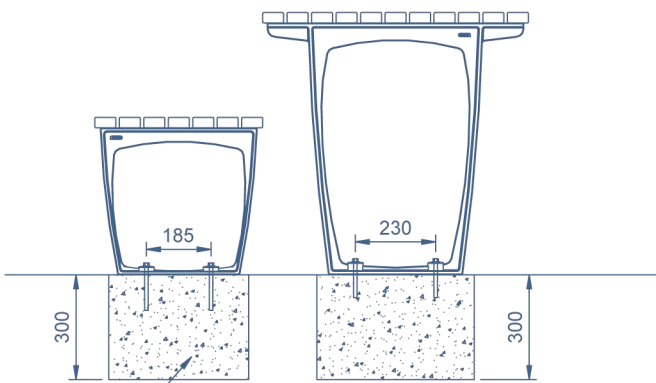


Commercial Systems
Australia Pty. Ltd.



SIDE VIEW

FRONT VIEW



Dynabolt

M12 x 100mm Bolts
Concrete slab should be 300mm deep.

BOLT DOWN INSTALLATION

Commercial Systems
Australia Pty. Ltd.

49-51 Vinter Avenue
Croydon 3136
Victoria, Australia

Phone: (03) 9725 9344
Fax: (03) 9725 9744
web: www.commercialsystems.com.au

FIXINGS

1. Bolt Fixed, Drill through base and bolt into concrete pad Bolts: M12 x 100mm, zinc plated Dynabolts

Cast Furniture

Installation Instructions

Product dimensions may vary to meet manufacturing requirements and are subject to the availability of materials. Installation Instructions are recommendations only and will vary depending on ground condition and other environmental impacts. The information, drawings and specifications provided are the intellectual property of Commercial Systems Australia Pty. Ltd. and as such are covered under the laws of Australian copyright and may not be reproduced, copied or distributed without written authority and approval from Commercial Systems Australia Pty. Ltd. Product data may change. Consult prior to specification.